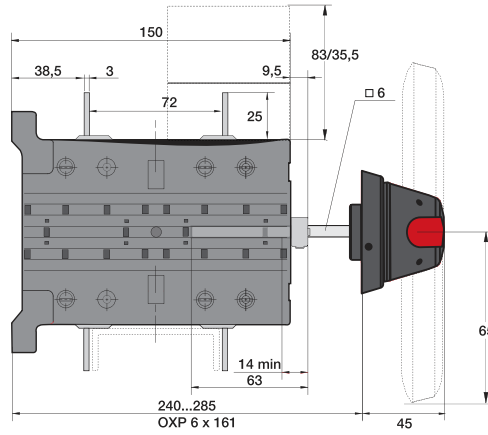
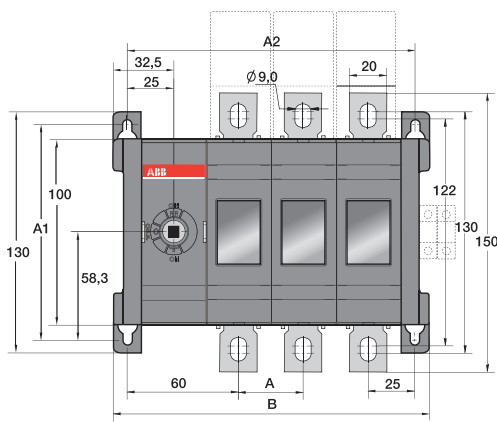




Change-over switches Dimension drawings

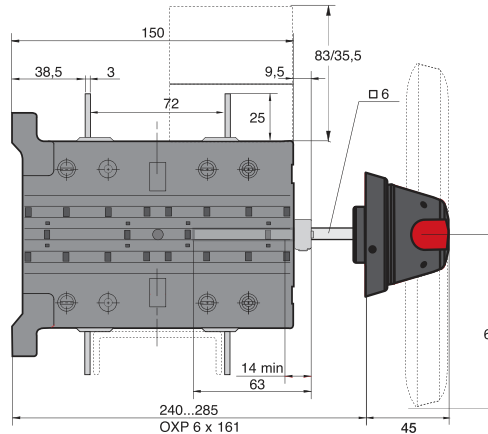
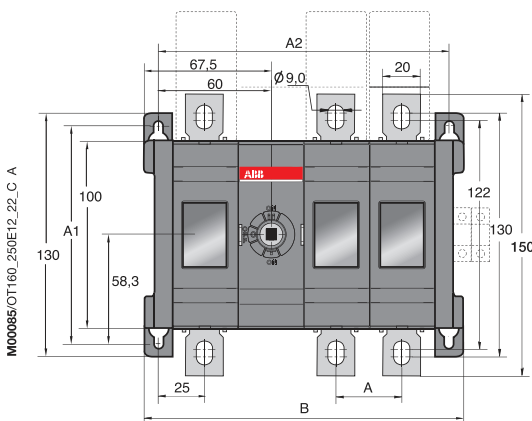
OT160E03/04CP... OT250E03/04CP



OT 160...250E_C		
	E03	E04
A	35	35
A1	116	116
A2	155	190
B	170	205

C000001 / OT160...250E_C_A

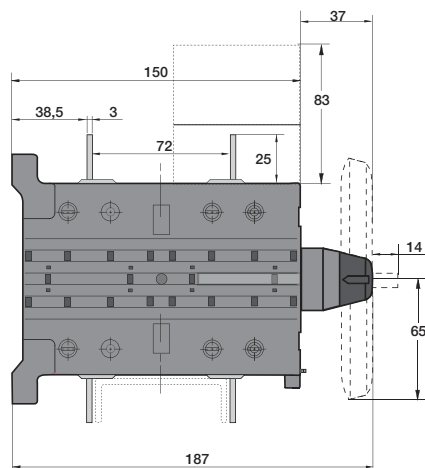
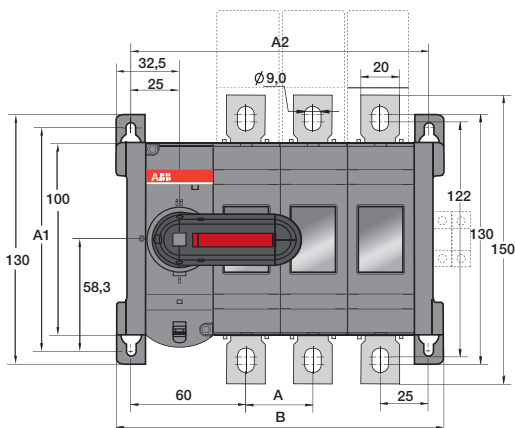
OT160E12/13CP... OT250E12/13CP



OT160...250E_C		
	E12	E13
A	35	35
A1	116	116
A2	155	190
B	170	205

M00085/OT160...250E12...22_C_A

OT160... 250_CK



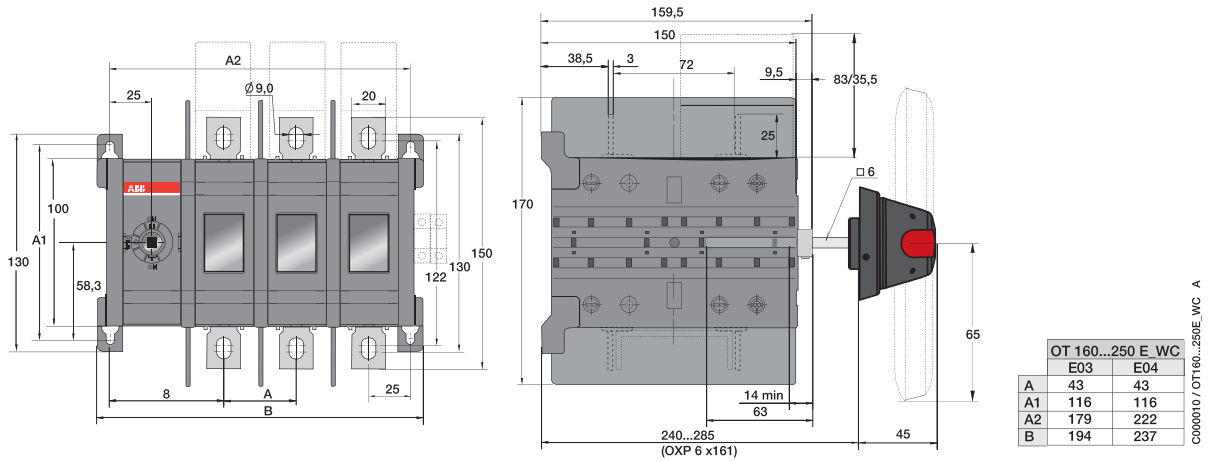
OT160...250E_C		
	E03	E04
A	35	35
A1	116	116
A2	156	191
B	171	206

M00094 / OT160...250_CK_A

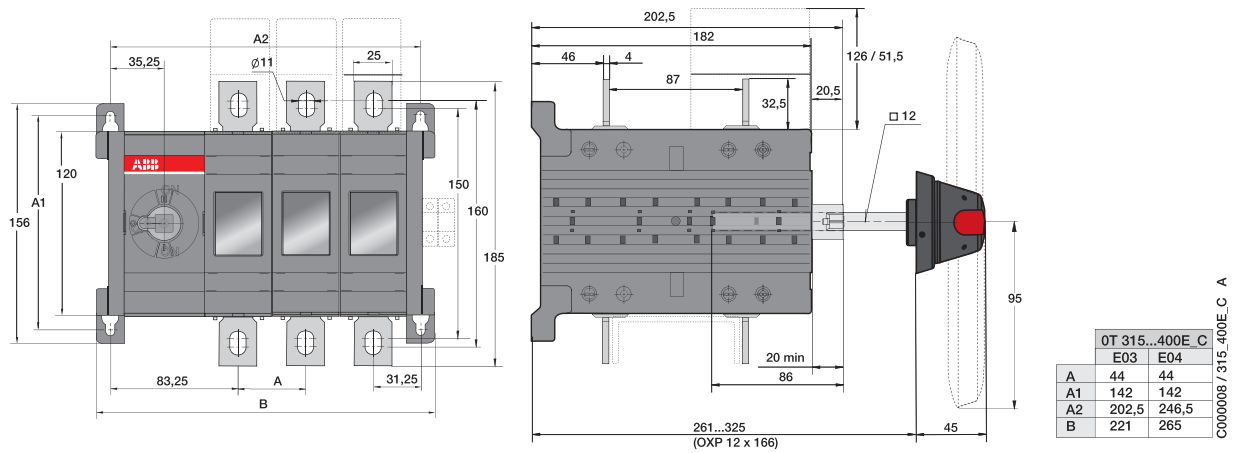


Change-over switches Dimension drawings

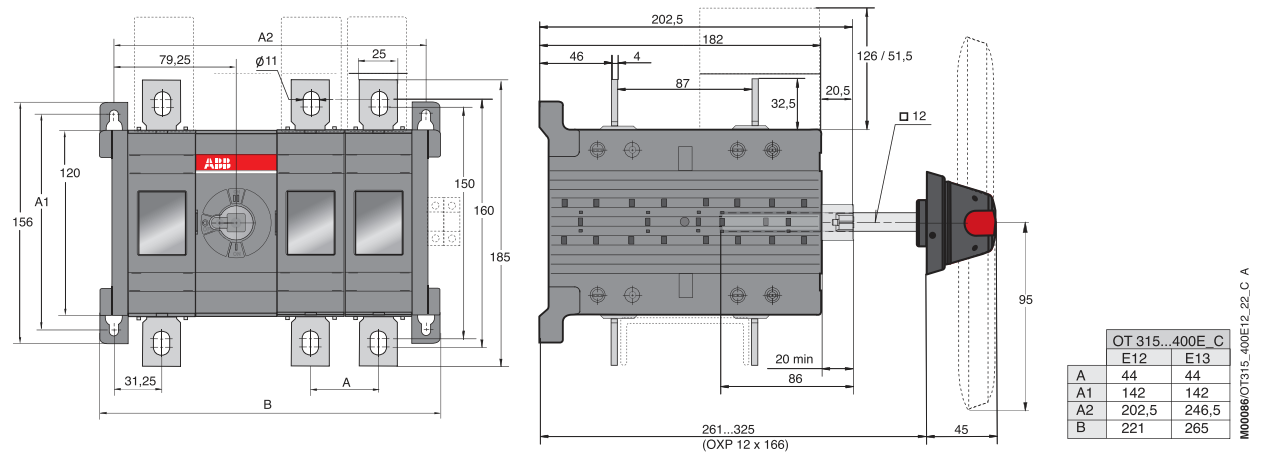
OT160E03/04WCP... OT250E03/04WCP



OT315E03/04CP and OT400E03/04CP



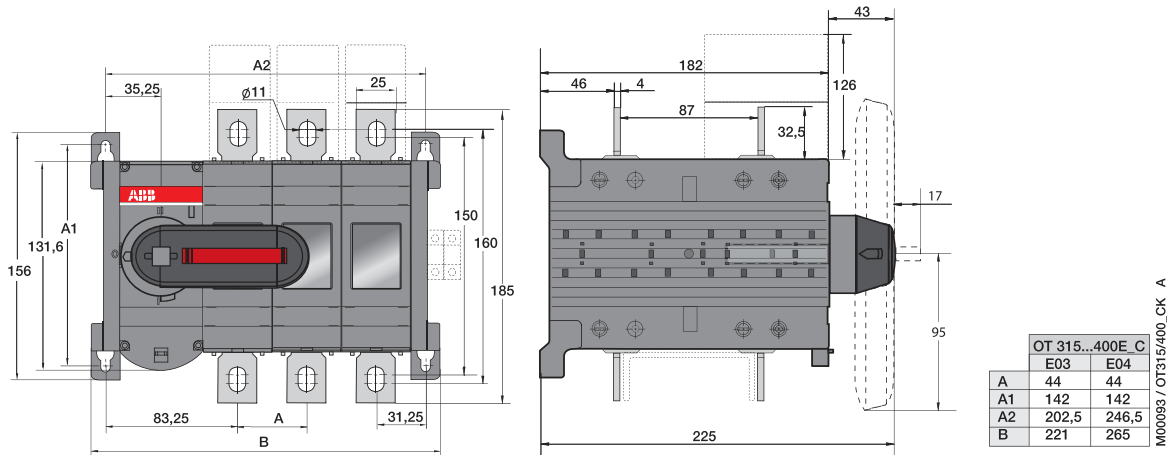
OT315E12/13CP... OT400E12/13CP



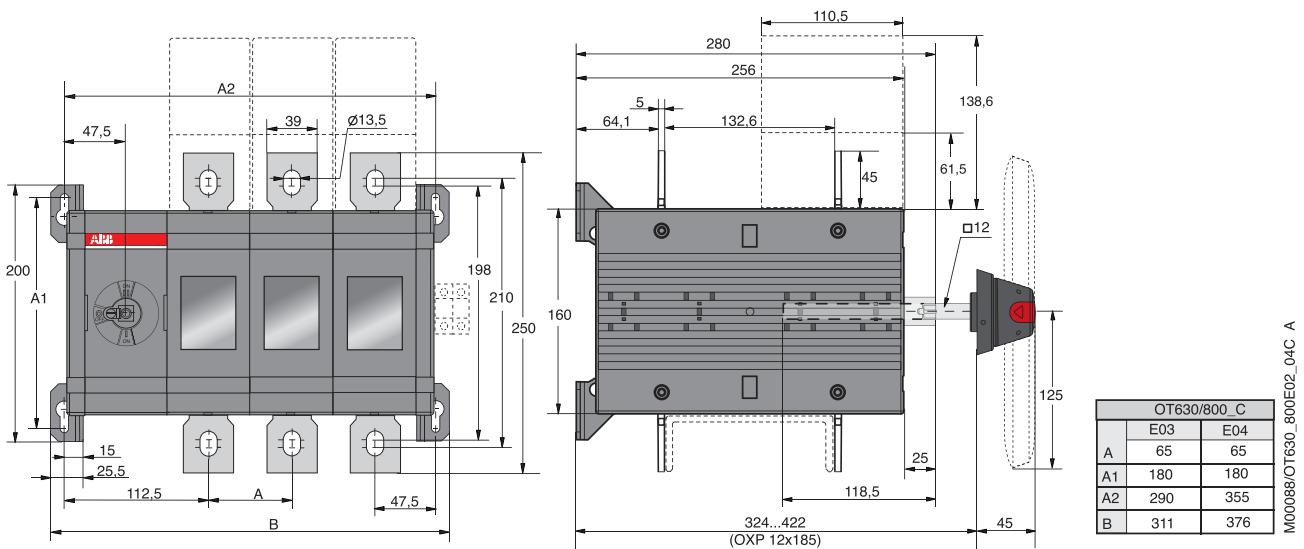


Change-over switches Dimension drawings

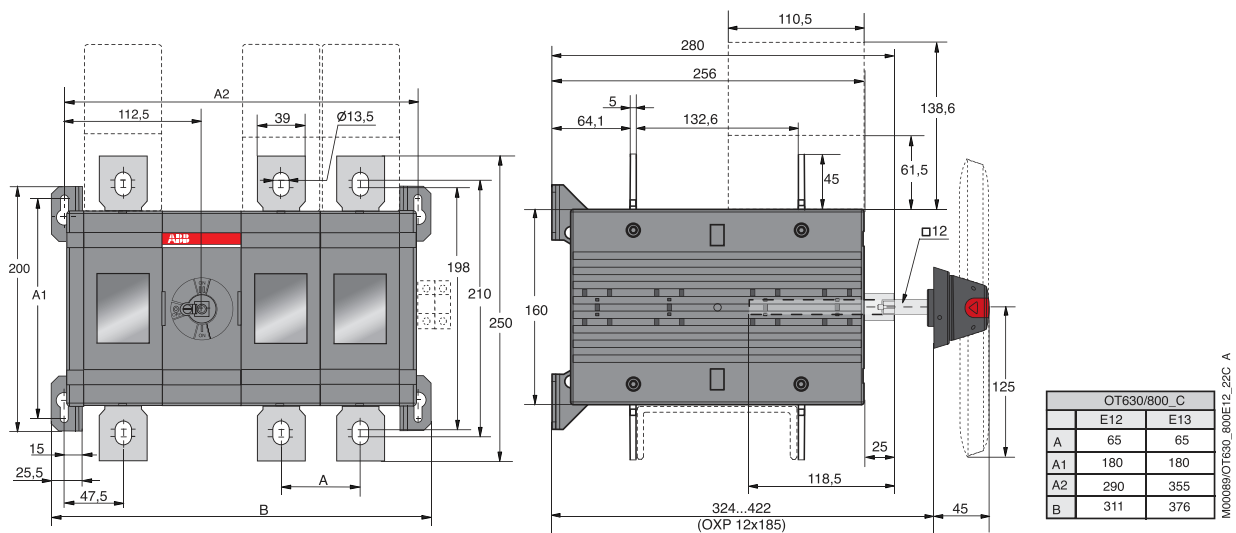
OT315E03/04CK... 400E03/04CK



OT630E03/04CP... 800E03/04CP



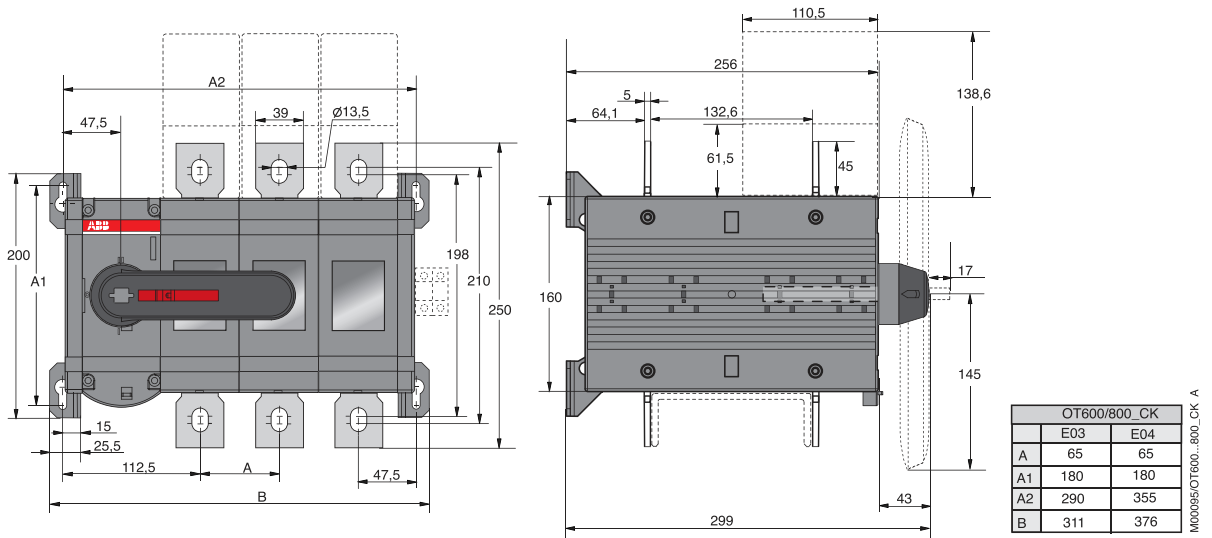
OT630E12/13CP... 800E12/13CP





Change-over switches Dimension drawings

OT630E03/04CK... 800E03/04CK



OETL1000...1600

