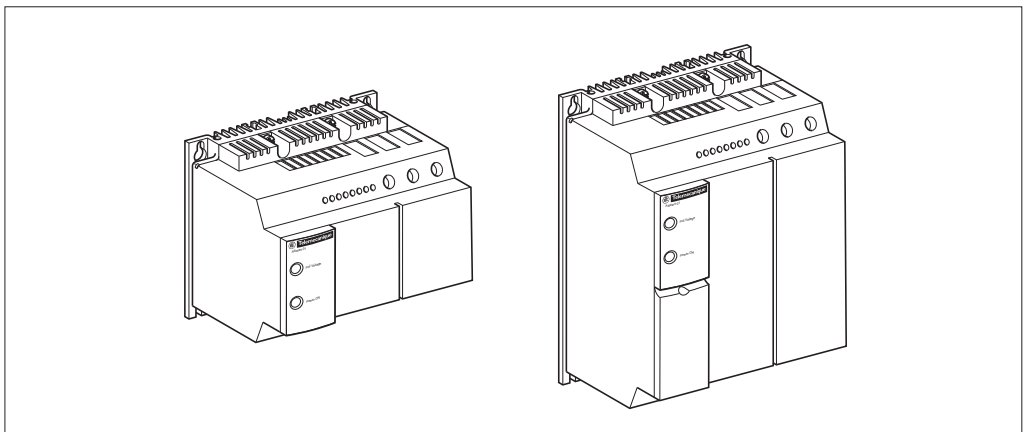
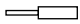





# Rozrusznik energoelektroniczny ATS 01N2●●Q/LY

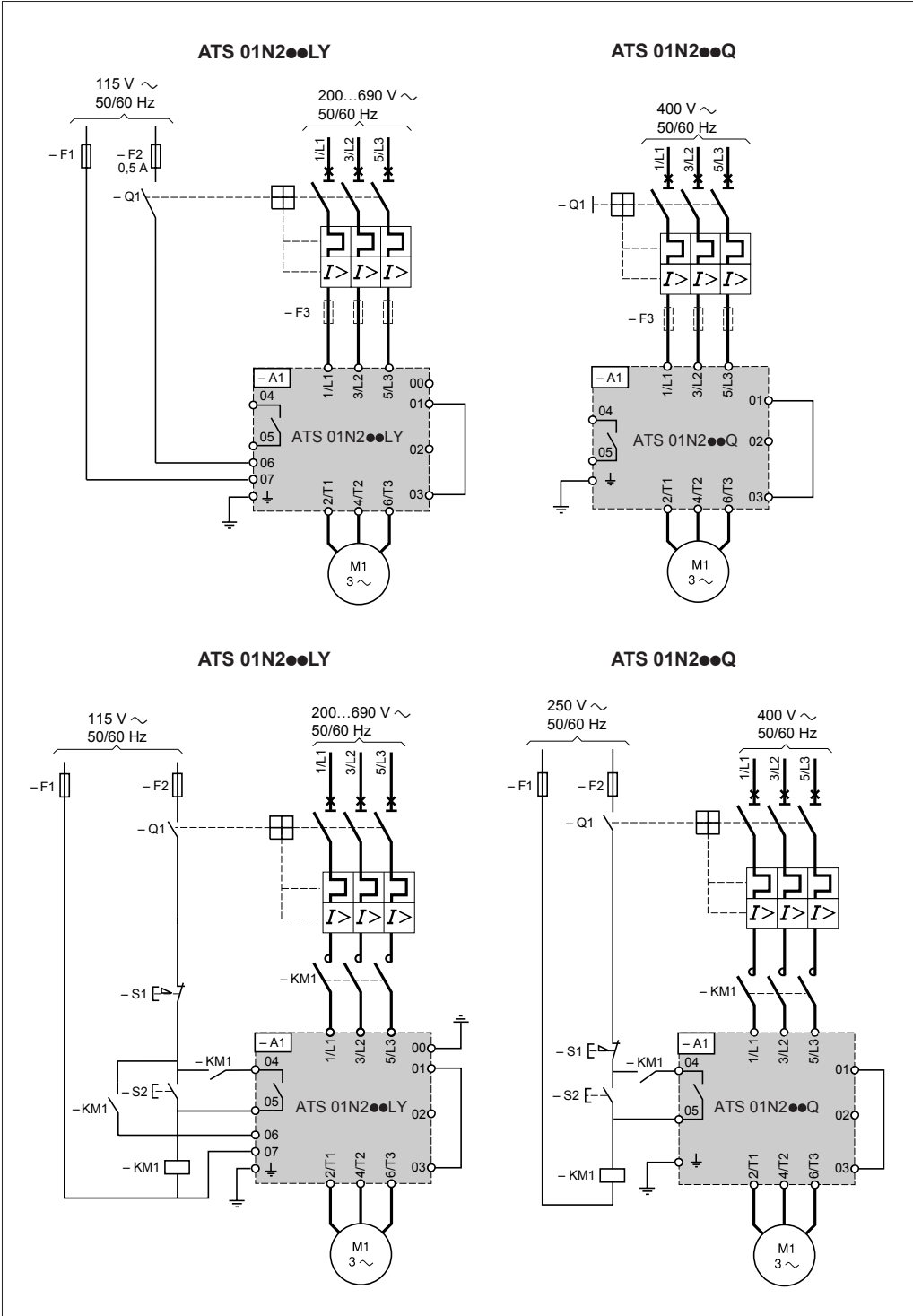


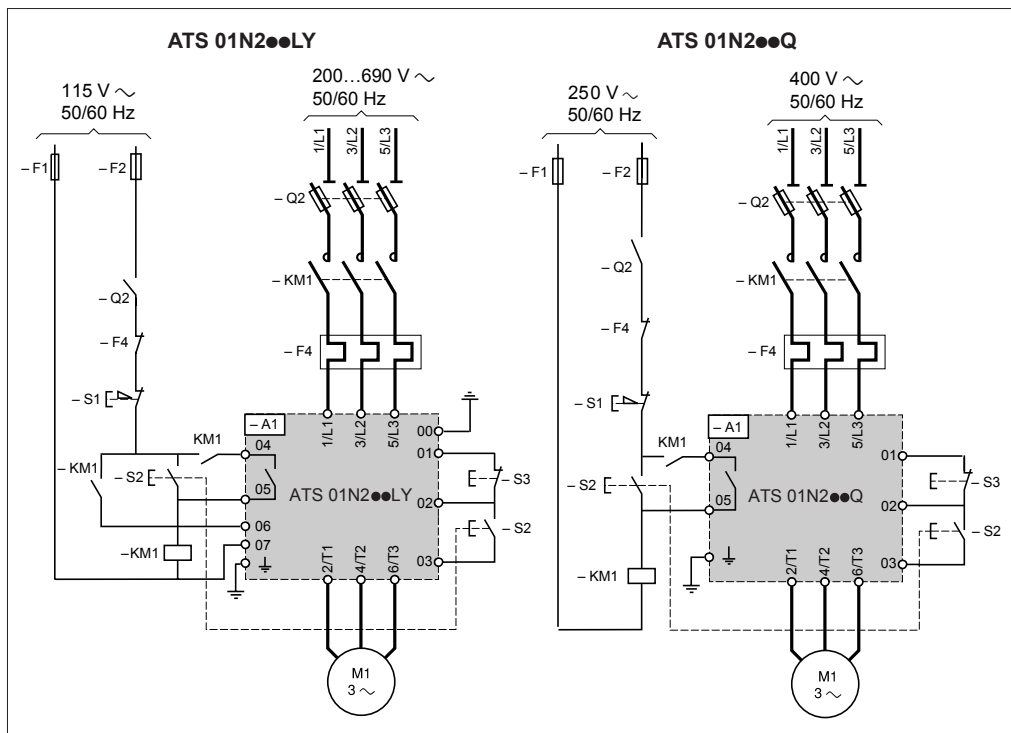
	a	b	c	e	f
	mm	mm	mm	mm	mm
ATS 01N230 LY ATS 01N244 LY ATS 01N244 Q	180	146	126	150	132
ATS 01N272 LY ATS 01N272 Q ATS 01N285 LY ATS 01N285 Q	180	254	126	150	242


	 [mm <sup>2</sup> ]   AWG		 Nm   lb/in	
	1/L1, 3/L2, 5/L3, 2/T1, 4/T2, 6/T3, $\pm$	≤ 25	≤ 2	5
00, 01, 02, 03, 04, 05, 06, 07	≤ 2,5	≤ 12	0,7	6



W9 1624687 01 11 A01  
11 - 2003





	UL  KLASA J
ATS 01N230●●	100 A
ATS 01N244●●	125 A
ATS 01N272●●	200 A
ATS 01N285●●	250 A

LAD8N11 