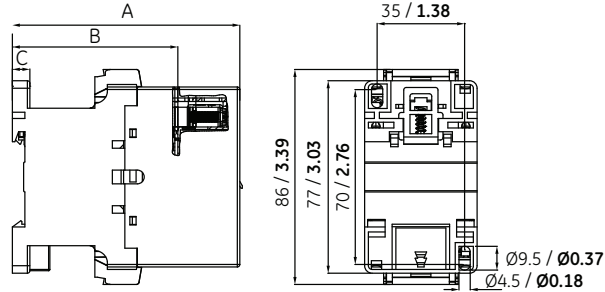


Dimensions and weights

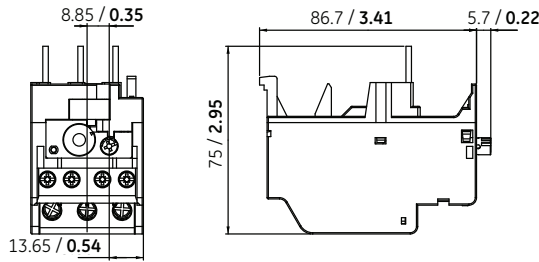
EC contactors

Contactors

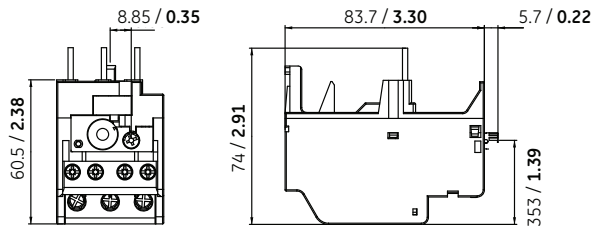


Dimensions in mm /inch	EC09A3 - EC18A3	EC25A3	EC32A3 - EC40A3	EC09D3 - EC18D3	EC25D3	EC32D3 - EC40D3
A	92 / 3.62	97 / 3.82	102 / 4.02	102 / 4.02	110 / 4.33	115 / 4.53
B	66.2 / 2.61	66.2 / 2.61	67.2 / 2.65	76.2 / 3	80.2 / 3.16	81.2 / 3.20
C	7 / 0.28	7 / 0.28	7 / 0.28	7 / 0.28	7 / 0.28	7 / 0.28
Weight in g / oz	350 / 12	490 / 17	530 / 19	620 / 22	700 / 25	740 / 26

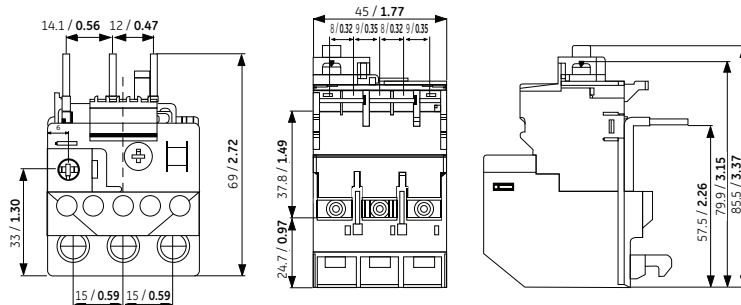
Thermal overload relay ECRT1
186 g / 6.6 oz



Thermal overload relay ECRT2
194 g / 6.8 oz

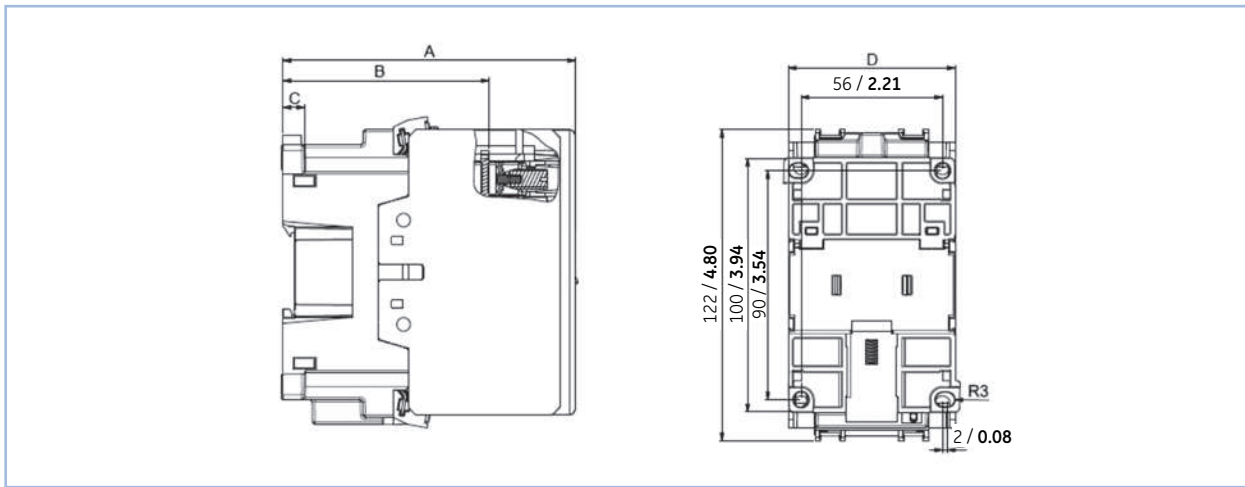


Electronic overload relay RE1
200 g / 7.1 oz



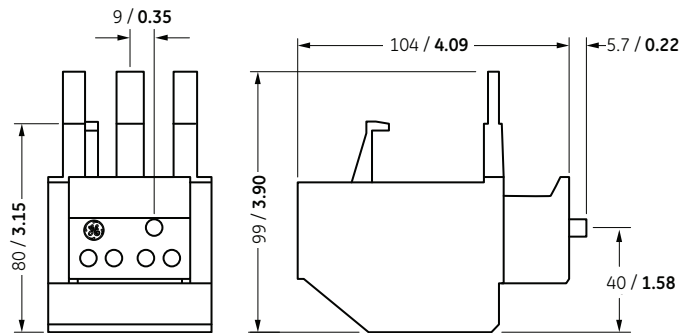
Dimensions and weights

EF contactors

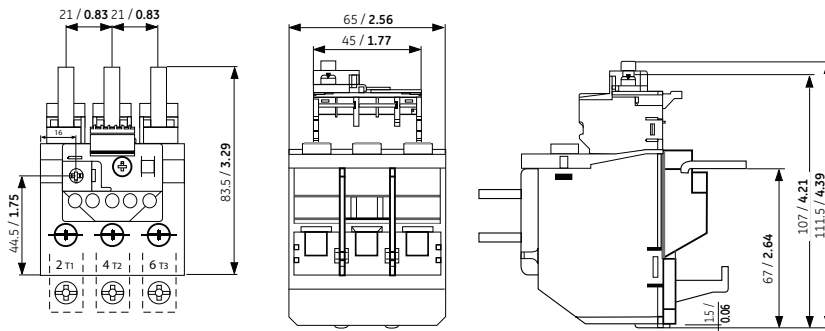


Dimensions in mm / inch	EF50A3 - EF80A3	EF95A3-EF105A3	EF50E3 - EF80E3	EF95E3 - EF105E3
A	115 / 4.53	126 / 4.96	143 / 5.63	153 / 6.02
B	80 / 3.15	85 / 3.35	109 / 4.29	119 / 4.69
C	9 / 0.35	9 / 0.35	9 / 0.35	9 / 0.35
D	65 / 2.56	75 / 2.95	65 / 2.56	75 / 2.95
Weight in g / oz	1125 / 40	1468 / 52	1270 / 45	1613 / 57

Thermal overload relay RT2 400 g / 14.1 oz



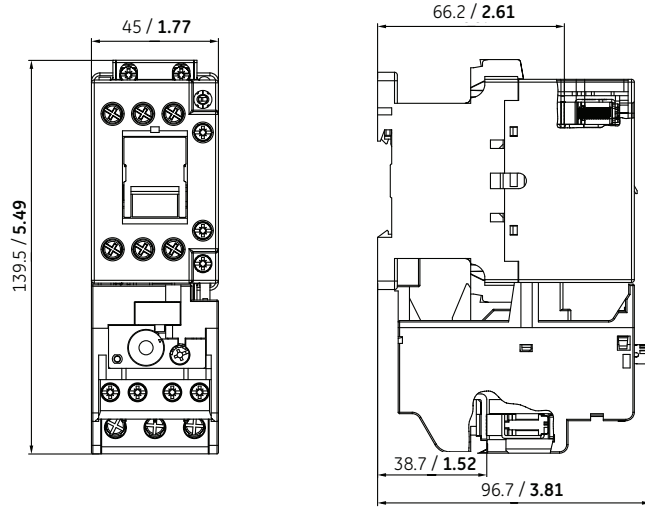
Electronic overload relay RE2 320 g / 11.3 oz



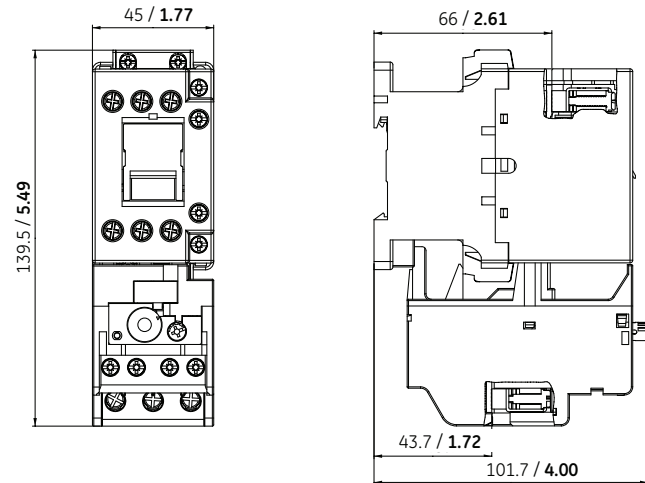
Dimensions and weights

EC contactors

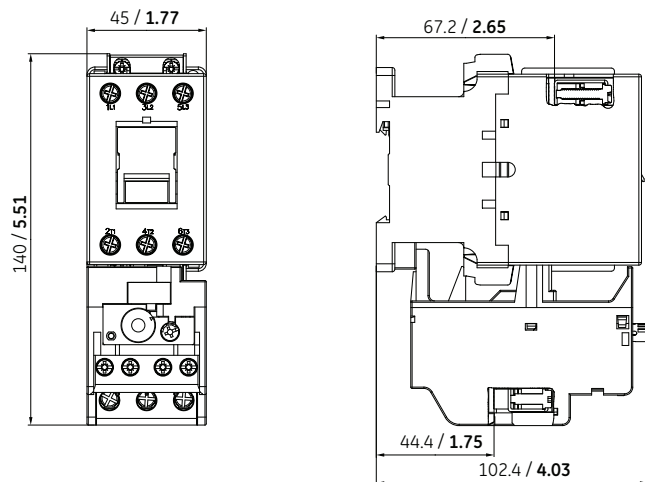
Combination of contactor EC09A-12A-18A and thermal overload relay ECRT1



Combination of contactor EC25A and thermal overload relay ECRT2



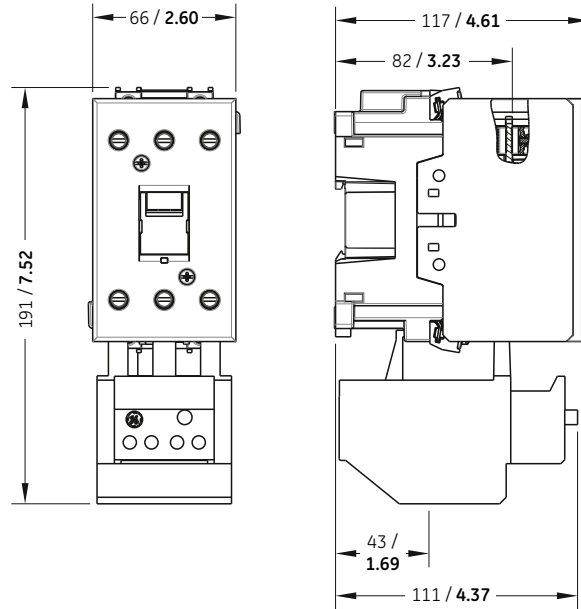
Combination of contactor EC32A-40A and thermal overload relay ECRT2



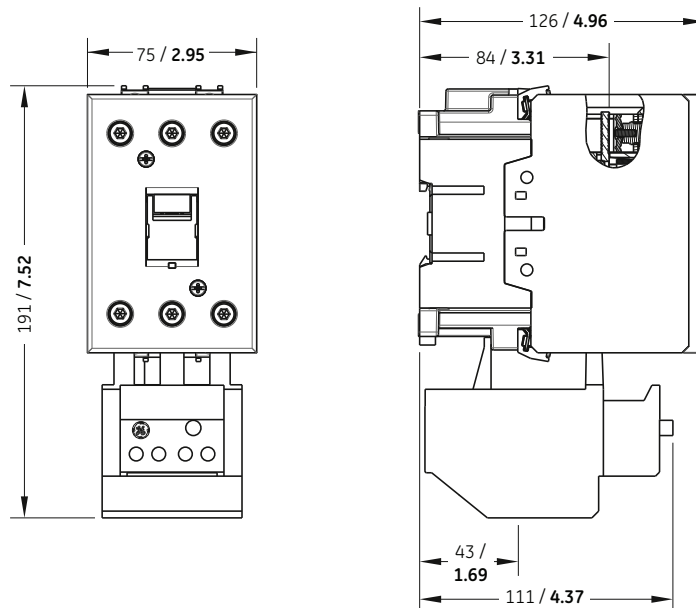
Dimensions and weights

EF contactors

Combination of contactor EF50A3-65A3-80A3 and thermal overload relay RT2



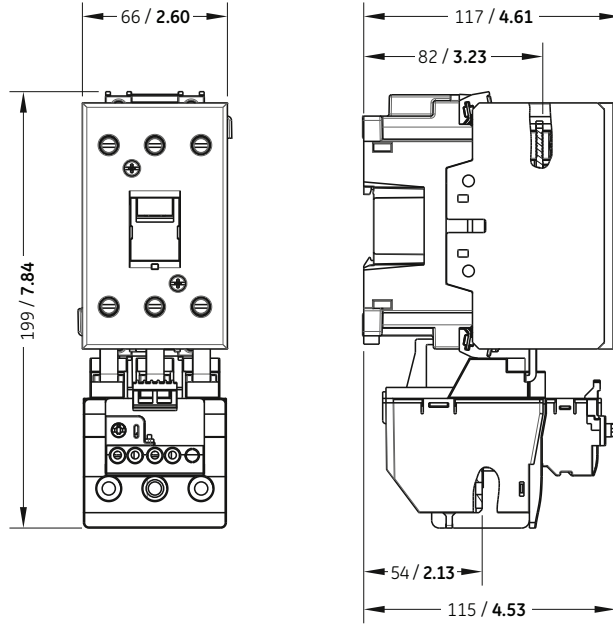
Combination of contactor EF95A3-105A3 and thermal overload relay RT2



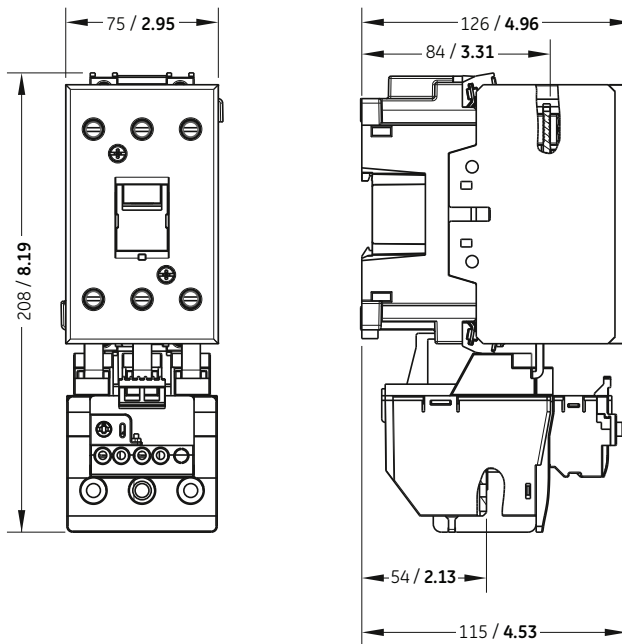
Dimensions and weights

EF contactors

Combination of contactor EF50E3-65E3-80E3 and thermal overload relay RT2



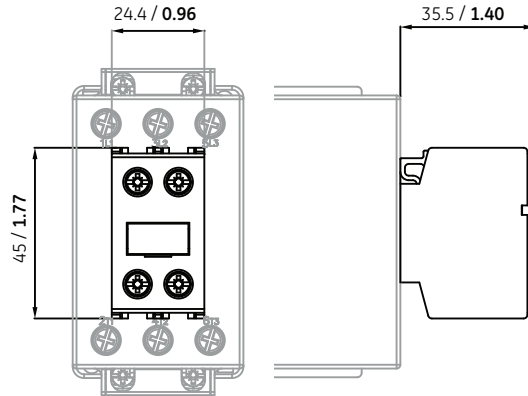
Combination of contactor EF95A3-105A3 and thermal overload relay RT2



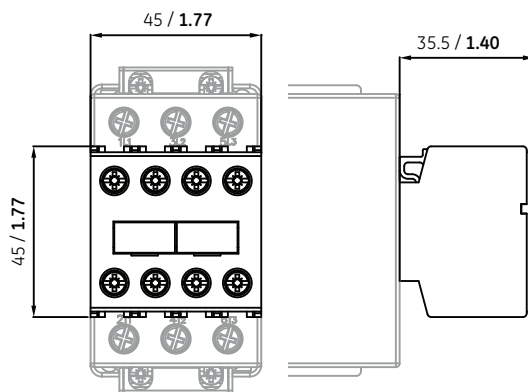
Dimensions and weights

EC contactors

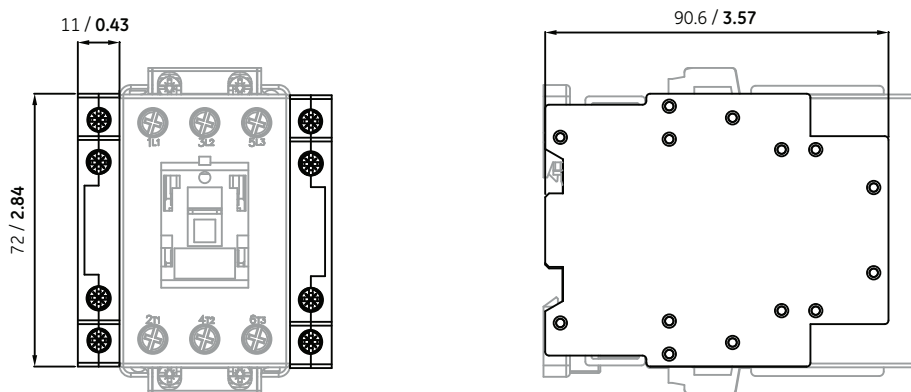
Frontal auxiliary contact block 2P ECFA2S
42 g / 1.5 oz



Frontal auxiliary contact block 4P ECFA4S
74 g / 2.6 oz



Lateral auxiliary contact block ECLA
70 g / 2.5 oz



A

B

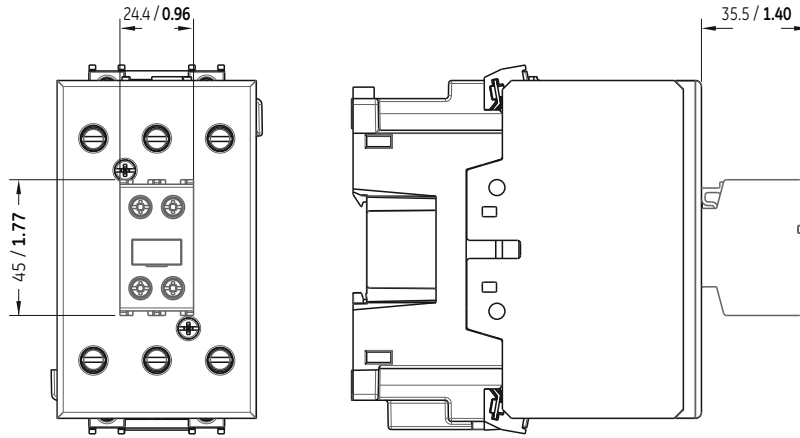
C

X

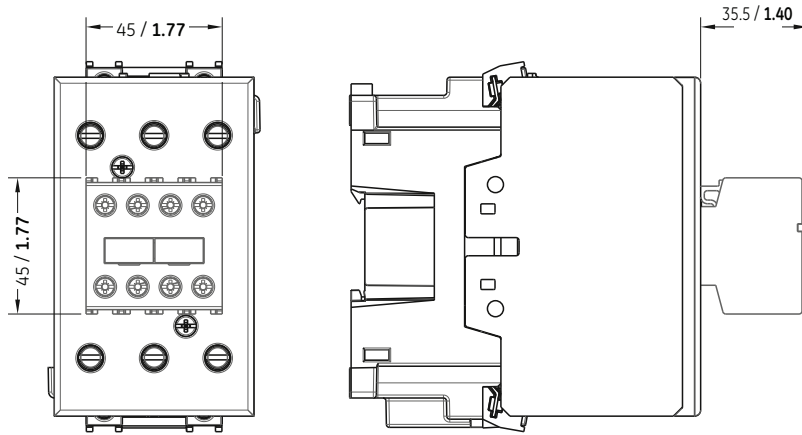
Dimensions and weights

EF contactors

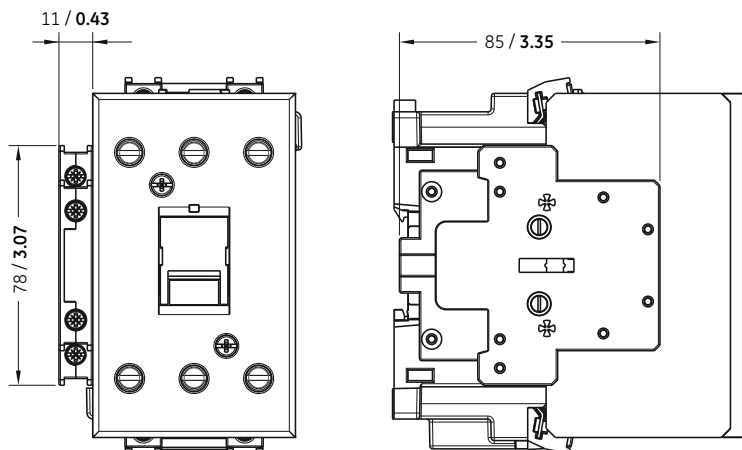
Frontal auxiliary contact block 2P ECFA2S



Frontal auxiliary contact block 2P ECFA2S



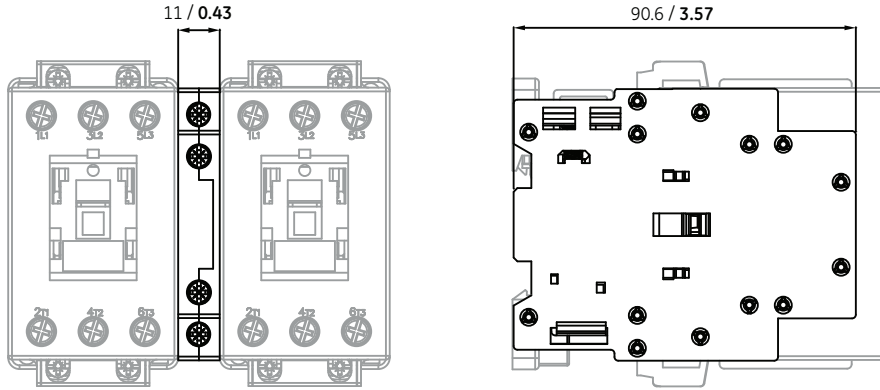
Lateral auxiliary contact block BCLL



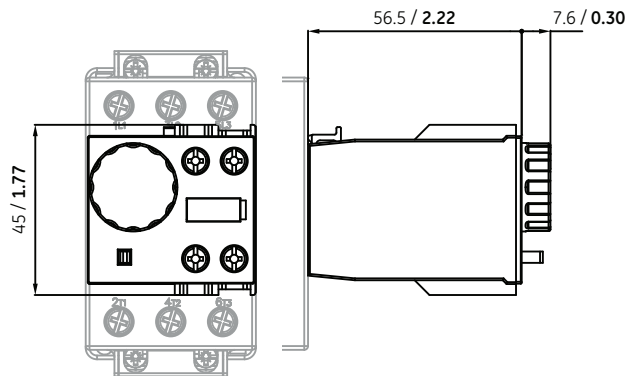
Dimensions and weights

EC contactors

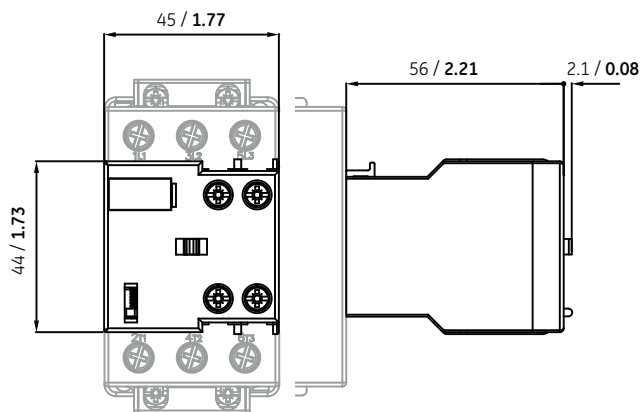
Lateral auxiliary mechanical interlock ECMI
52 g / 1.8 oz



Pneumatic timer ECPT
78 g / 2.8 oz



Mechanical latch ECML
113 g / 4 oz



A

B

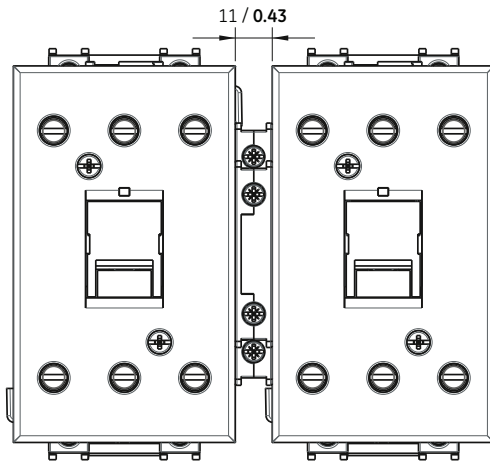
C

X

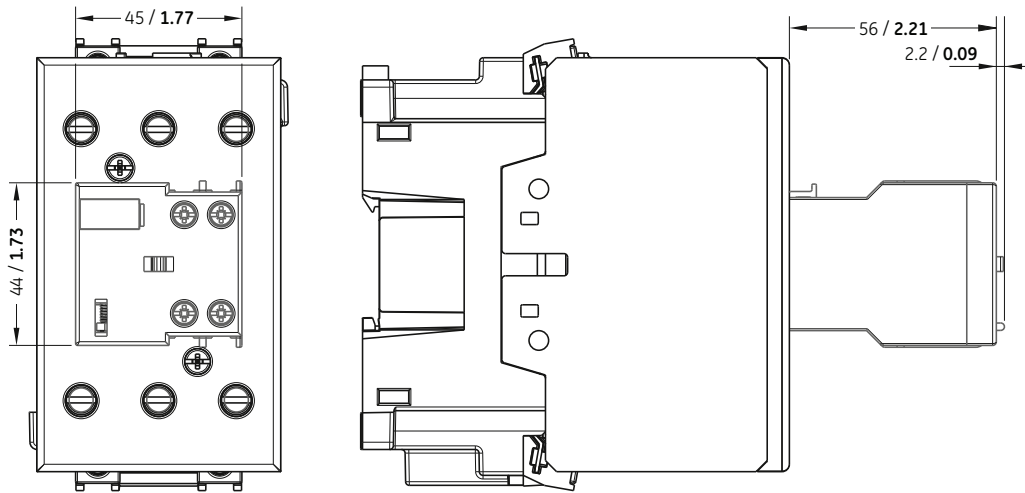
Dimensions and weights

EF contactors

Lateral auxiliary mechanical interlock BELA



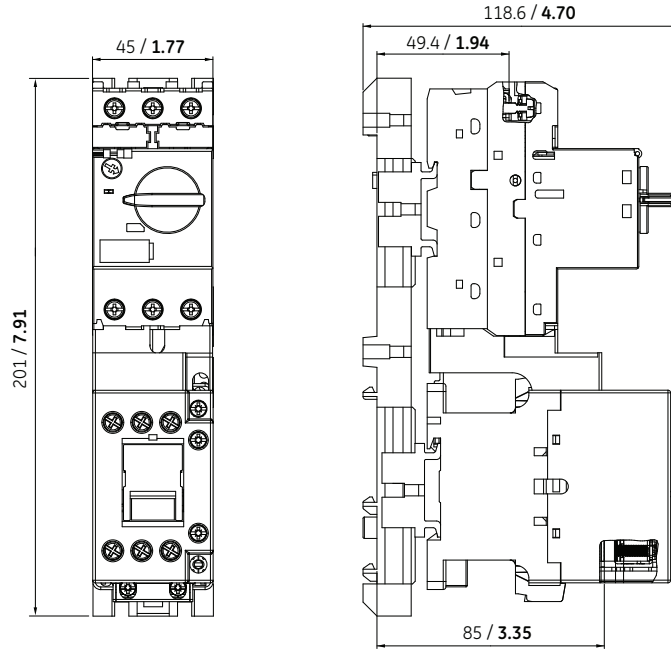
Mechanical latch ECML
113 g / 4 oz



Dimensions and weights

EC contactors

Starter combination of manual motor starter Surion GPS1 and contactor EC09A-12A-18A
787 g / 27.8 oz



EF contactors

Starter combination of manual motor starter Surion GPS2 and contactor EF50-65-80

