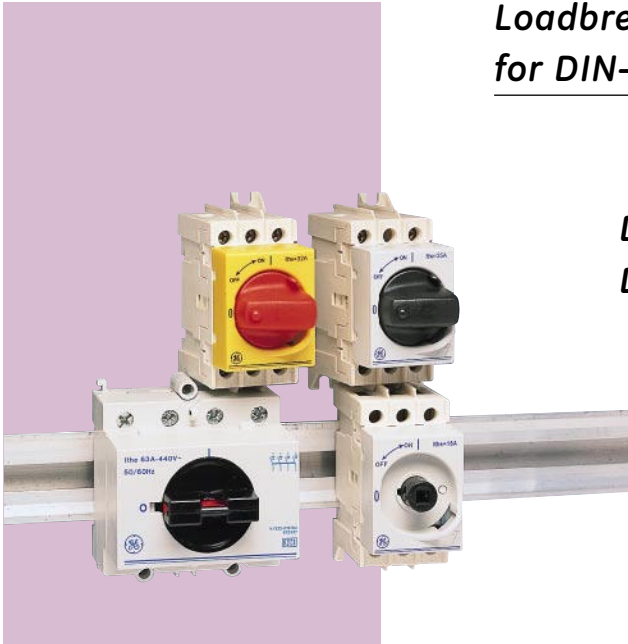


Loadbreak disconnectors for DIN-rail, wall and door mounting



Dilos 00 - 16A up to 40A

Dilos 0 - 32A up to 63A



Applications



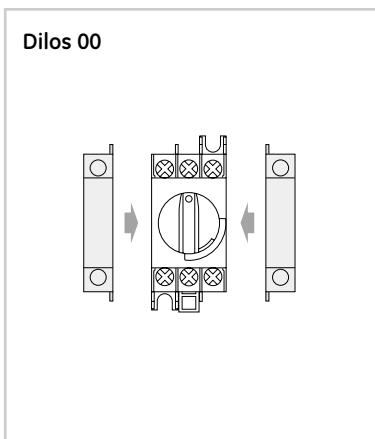
Approvals / Marking



Dilos 00

Dilos 0

Add-on devices



Performance

- DIN-rail type
- Disconnect function
- Complete range of add-on devices
- Double knife contacts for Dilos 0
- Number of poles 2P - 3P - 4P
- Mounting:
 - Dilos 00 DIN-rail / panel wall
 - Dilos 0 DIN-rail wall
- Box terminals
- Padlockable

Standards



IEC 60947-1 and IEC 60947-3, DIN VDE 0660 Teil 107, BS EN 60947-3, CEI 17-11 (Fasc. 1039), EN 60947-3, NBN EN 60947-3, NF C 63-130
Safety disconnecter (red/yellow) according to DIN VDE 0113 Teil 1

Technical data

	Dilos 00	Dilos 0
Rated thermal current	16A-40A	32A-63A
Rated operational voltage	690V	415V
Peak short withstand circuit current	6kA	10kA
Terminal capacity (Cu)	1.5 - 16 mm ²	2.5 - 25 mm ²

- Technical data ● pg. C.2
- Installation facilities ● pg. D.2
- Dimensions ● pg. E.3

Dilos 00 - DIN-rail disconnectors - 2 modules

	Standard grey	Description	In (A)	Cat. no.	Ref. no.	Pack.
	3P		16	D/061301-201	730984	1
			25	D/061302-201	730986	1
			32	D/061303-201	730988	1
			40	D/061304-201	730990	1
	3P	Red/yellow, according to DIN VDE 0113 Teil 1	16	D/061301-203	731404	1
			25	D/061302-203	731407	1
			32	D/061303-203	731410	1
			40	D/061304-203	731413	1







Accessories

	Switched neutral module To be added on one side	<table border="1"> <tr> <td>D/061903-104</td> <td>731004</td> <td>1</td> </tr> <tr> <td colspan="3">For 16A</td> </tr> <tr> <td>D/061903-204</td> <td>731006</td> <td>1</td> </tr> <tr> <td colspan="3">For 25A</td> </tr> <tr> <td>D/061903-304</td> <td>731012</td> <td>1</td> </tr> <tr> <td colspan="3">For 32A</td> </tr> <tr> <td>D/061903-404</td> <td>731014</td> <td>1</td> </tr> <tr> <td colspan="3">For 40A</td> </tr> </table>	D/061903-104	731004	1	For 16A			D/061903-204	731006	1	For 25A			D/061903-304	731012	1	For 32A			D/061903-404	731014	1	For 40A			Handles for cover or hinged door IP65, with door interlock	
	D/061903-104	731004	1																									
	For 16A																											
	D/061903-204	731006	1																									
	For 25A																											
	D/061903-304	731012	1																									
For 32A																												
D/061903-404	731014	1																										
For 40A																												
	Fixed neutral module To be added on one side	<table border="1"> <tr> <td>D/061903-205</td> <td>731007</td> <td>1</td> </tr> <tr> <td colspan="3">For 16A-40A</td> </tr> </table>	D/061903-205	731007	1	For 16A-40A			Handle for cover or hinged door IP54, without door interlock																			
	D/061903-205	731007	1																									
	For 16A-40A																											
		Earth module To be added on one side	<table border="1"> <tr> <td>D/061903-206</td> <td>731008</td> <td>1</td> </tr> <tr> <td colspan="3">For 16A-40A</td> </tr> </table>	D/061903-206	731008	1	For 16A-40A				Terminal covers																	
		D/061903-206	731008	1																								
		For 16A-40A																										
		Auxiliary contact To be added on one side	<table border="1"> <tr> <td>D/061901-202</td> <td>731000</td> <td>1</td> </tr> <tr> <td colspan="3">1 NO/NC</td> </tr> <tr> <td colspan="3">Ith = 10A at 230V</td> </tr> </table>	D/061901-202	731000	1	1 NO/NC			Ith = 10A at 230V			<table border="1"> <tr> <td>D/061902-220</td> <td>731002</td> <td>1</td> </tr> <tr> <td colspan="3">3P</td> </tr> <tr> <td>D/061902-221</td> <td>731003</td> <td>1</td> </tr> <tr> <td colspan="3">1P</td> </tr> </table>	D/061902-220	731002	1	3P			D/061902-221	731003	1	1P					
		D/061901-202	731000	1																								
		1 NO/NC																										
	Ith = 10A at 230V																											
	D/061902-220	731002	1																									
	3P																											
D/061902-221	731003	1																										
1P																												

Dilos 00 - Disconnectors for door mounting - 2 modules

Standard grey	Description	In (A)	Cat. no.	Ref. no.	Pack.
 <p>3P</p>	Without handle	16	D/061301-251	730985	1
		25	D/061302-251	730987	1
		32	D/061303-251	730989	1
		40	D/061304-251	730991	1

Accessories

	<p>Switched neutral module To be added on one side</p>	<p>D/061903-154, 731005, 1</p> <p>For 16A</p>	
	<p>D/061903-254, 731009, 1</p> <p>For 25A</p>		
	<p>D/061903-354, 731013, 1</p> <p>For 32A</p>		
	<p>D/061903-454, 731015, 1</p> <p>For 40A</p>		
	<p>Handles IP65</p> <p>D/061900-651, 730998, 1</p> <p>Black padlockable rotary handle</p>		
	<p>D/061900-653, 730999, 1</p> <p>Red/yellow padlockable rotary handle</p>		
	<p>Fixed neutral module To be added on one side</p>	<p>D/061903-255, 731010, 1</p> <p>For 16A-40A</p>	
	<p>Terminal covers For DIN-rail and door mounting</p>		
	<p>D/061902-220, 731002, 1</p> <p>3P</p> <p>D/061902-221, 731003, 1</p> <p>1P</p>		
	<p>Earth module To be added on one side</p>	<p>D/061903-256, 731011, 1</p> <p>For 16A-40A</p>	<p>Rear view Dilos 00 + switch neutral module (4th pole)</p> 
	<p>Auxiliary contacts To be added on one side</p>	<p>D/061901-252, 731001, 1</p> <p>1 NO/NC</p> <p>Ith = 10A at 230V</p>	

Order codes

A

B

C

D

E

X

Dilos - Loadbreak disconnectors for DIN-rail mounting

			Dilos 00	Dilos 00	Dilos 00	Dilos 00	Dilos 0
Conventional enclosed thermal current $I_{the} = I_{th}$			(A) 16	25	32	40	32
Number of poles			3	3	3	3	2/3/4
Frequency			(Hz) 50/60	50/60	50/60	50/60	50/60
Rated thermal current at	40°C	(A)	16	25	32	40	32
	50°C	(A)	16	25	32	40	32
	60°C	(A)	16	25	32	40	32
Power loss per pole			(W) 0.12	0.35	0.6	1	0.6
Terminal capacity (Cu)	minimum	(mm ²)	1.5	1.5	1.5	1.5	2.5
	maximum	(mm ²)	16	16	16	16	25
Maximum torque on terminals			(Nm) 2.2	2.2	2.2	2.2	-
Rated operational voltage Ue			(V) 690	690	690	690	415
Rated insulation voltage Ui			(V) 690	690	690	690	415
Rated impulse withstand voltage (2000m) Uimp			(kV) 8	8	8	8	8
Impulse test voltage at sea level			(kV) 12.3	12.3	12.3	12.3	12.3
Rated operational current Ie AC21A	Ue=400V	(A)	16	25	32	40	32
	Ue=415V	(A)	16	25	32	40	32
	Ue=500V	(A)	16	25	32	40	-
	Ue=690V	(A)	16	25	32	40	-
Rated operational current Ie AC22A	Ue=400V	(A)	16	25	32	40	32
	Ue=415V	(A)	16	25	32	40	32
	Ue=500V	(A)	16	25	32	40	-
	Ue=690V	(A)	16	25	32	40	-
Rated operational current Ie AC23A	Ue=400V	(A)	16	25	32	40	32
	Ue=415V	(A)	16	25	32	40	32
	Ue=500V	(A)	16	25	32	40	-
	Ue=690V	(A)	16	25	25	25	-
Maximum rated operational power at rated duty AC23	Ue=400V	(kW)	7.5	7.5	11	11	17
	Ue=415V	(kW)	7.5	7.5	11	11	17
	Ue=500V	(kW)	7.5	7.5	11	15	-
	Ue=690V	(kW)	11	11	11	18.5	-
Rated making and breaking capacity at 415V AC23A	making 10 x Ie	(A)	160	250	320	400	320
	breaking 8 x Ie	(A)	128	200	256	320	256
Rated short time withstand current Icw	1 s.	(kA rms)	1	1	1.2	1.2	2.5
	0.25 s.	(kA rms)	-	-	-	-	-
Rated short-circuit making capacity Icm	Ue=400V	(kA peak)	4.5	4.5	4.5	4.5	6
	Ue=415V	(kA peak)	4.5	4.5	4.5	4.5	6
	Ue=500V	(kA peak)	3	3	3	3	-
	Ue=690V	(kA peak)	3	3	3	3	-
Rated conditional short-circuit current with back-up protection featuring the same current rating as the switch (kA rms)	400V	(kA)	50	50	50	50	15
	415V	(kA)	50	50	50	50	15
	500V	(kA)	50	50	50	50	-
	690V	(kA)	50	50	50	50	-
Rated capacity power at 400V			(kVAR) -	-	-	-	-
Rated operational current DC23A	2P in series 110V	(A)	-	25	32	40	-
	2P in series 220V	(A)	-	25	-	-	-
	4P in series 220V	(A)	-	-	-	-	-
Operating torque			(Nm) 0.5	0.5	0.5	0.5	2.5
Force			(N) -	-	-	-	50
Durability (number of operational cycles)	electrical		3000	3000	3000	3000	1000
	mechanical (min)		40000	40000	40000	40000	10000
UL listed following UL file E143291 (acc UL508)							
UL 508 General Use 480V			In (A)	-	-	-	-
UL 508 Manual motor controller 480V			FLA (A)	-	-	-	-
			Power (HP)	-	-	-	-
UL short-circuit at 480V			K5fu (kA)	-	-	-	-
			UL J-fuses (kA)	-	-	-	-
Weight	2P	(kg)	0.125	0.125	0.125	0.125	0.27
	3P	(kg)	0.125	0.125	0.125	0.125	0.29
	4P	(kg)	0.170	0.170	0.170	0.170	0.33

Technical data

A

B

C

D

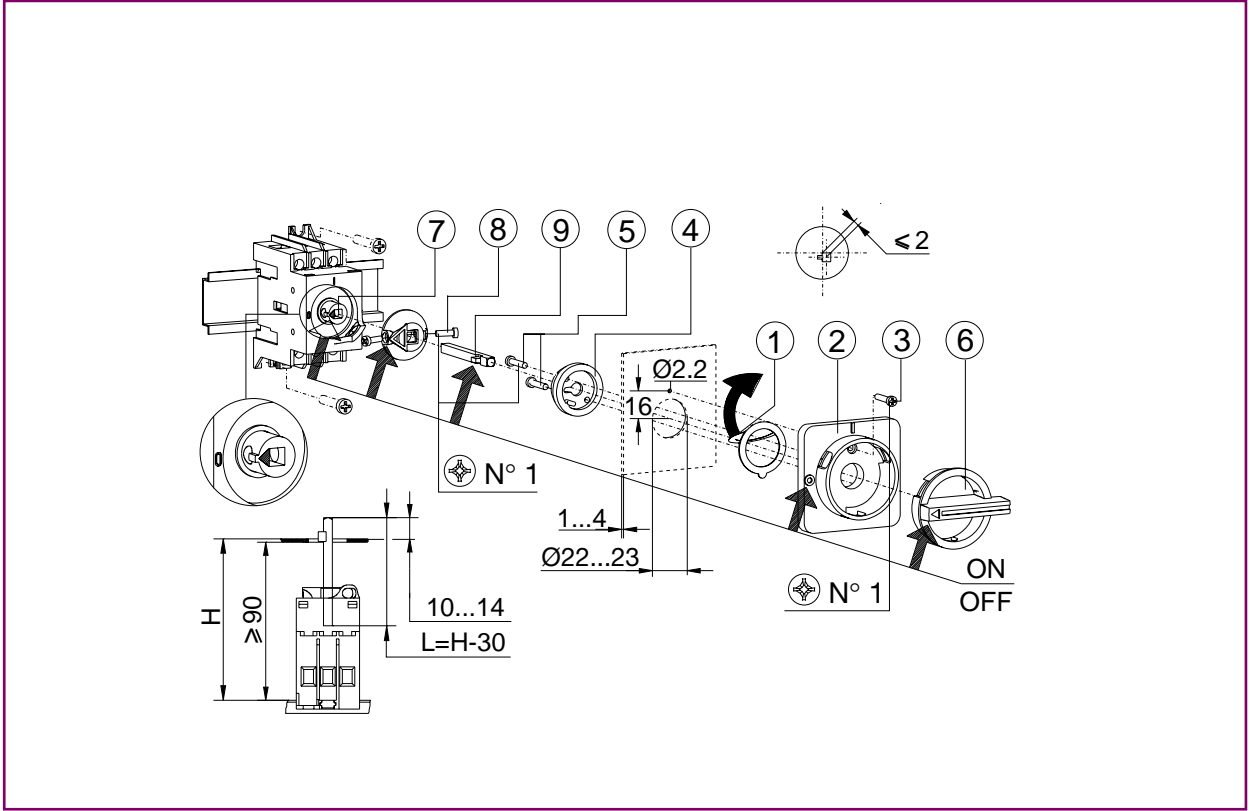
E

X



Dilos 00 for DIN-rail mounting

Rotary handle for door mounting and padlockable - IP65



Installation facilities

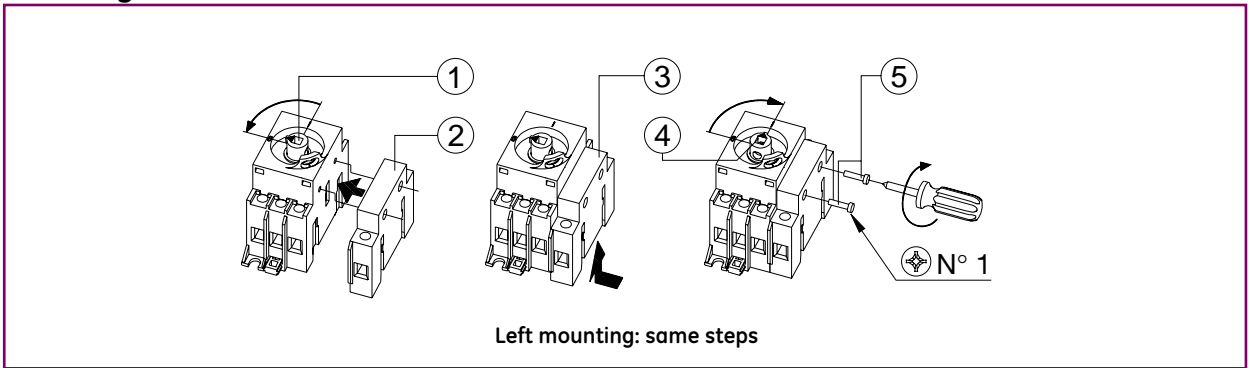
A

B

C

D

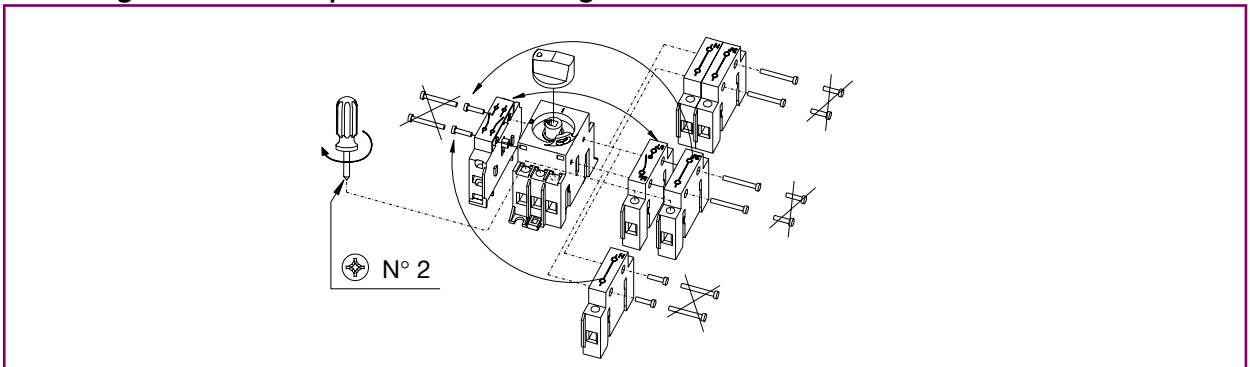
Mounting of modules on the side of the switch



E

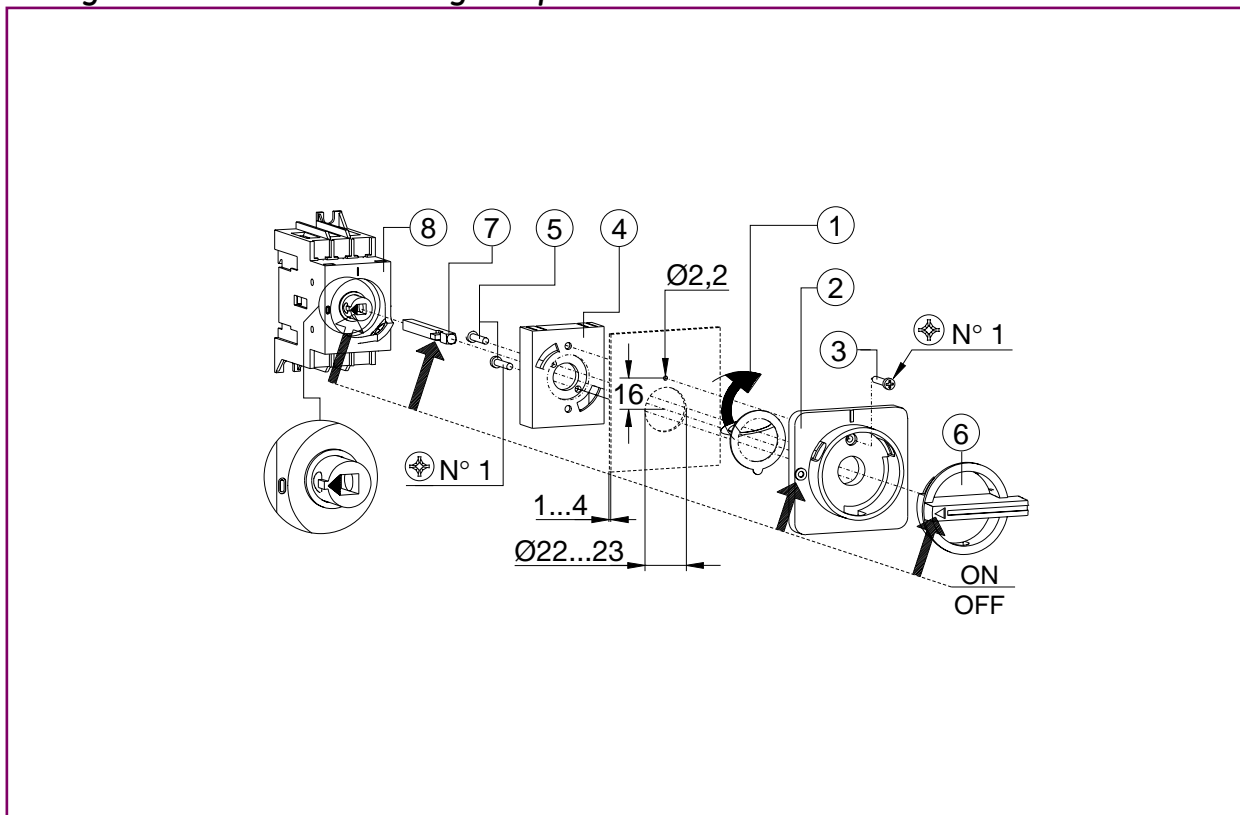
X

Mounting of additional poles and auxiliary contacts

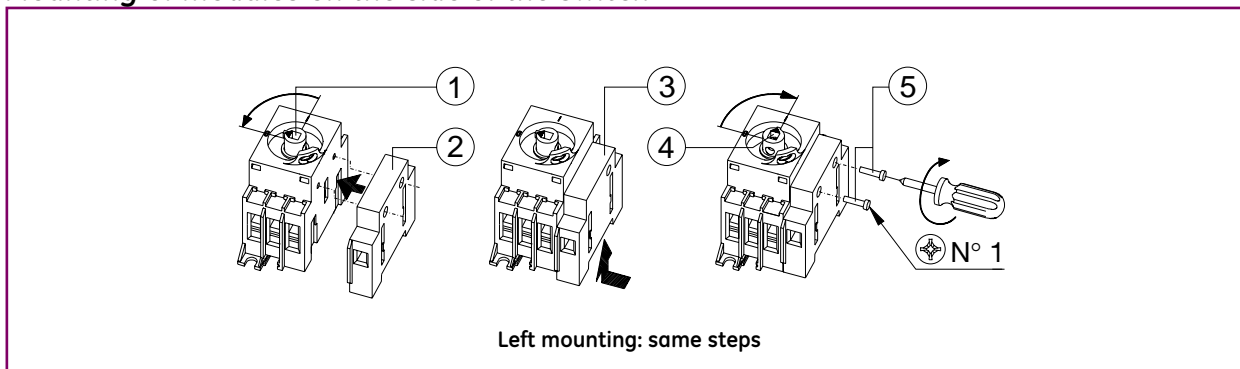


Dilos 00 for door mounting

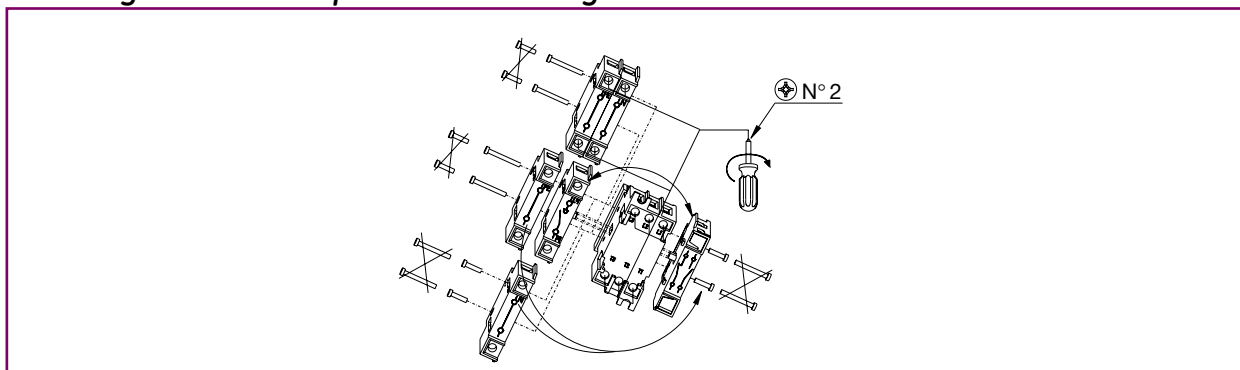
Rotary handle for door mounting and padlockable



Mounting of modules on the side of the switch



Mounting of additional poles and auxiliary contacts



A

B

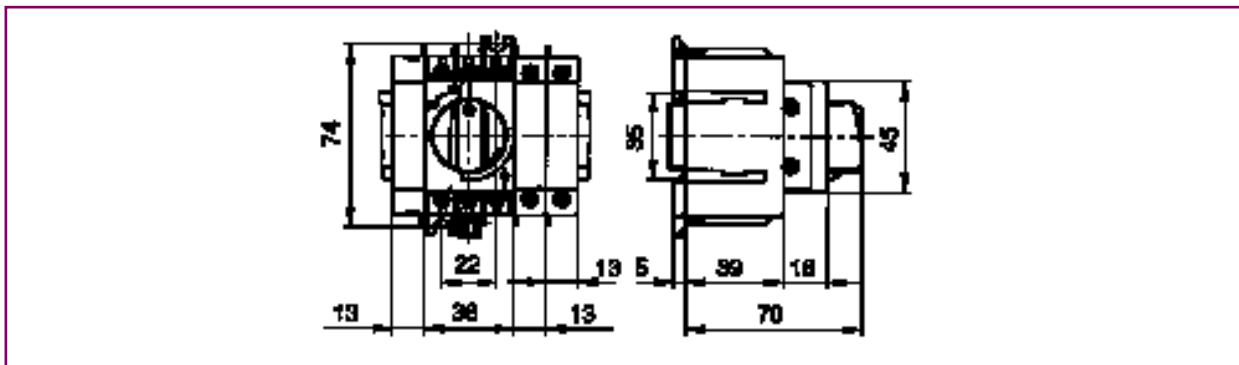
C

D

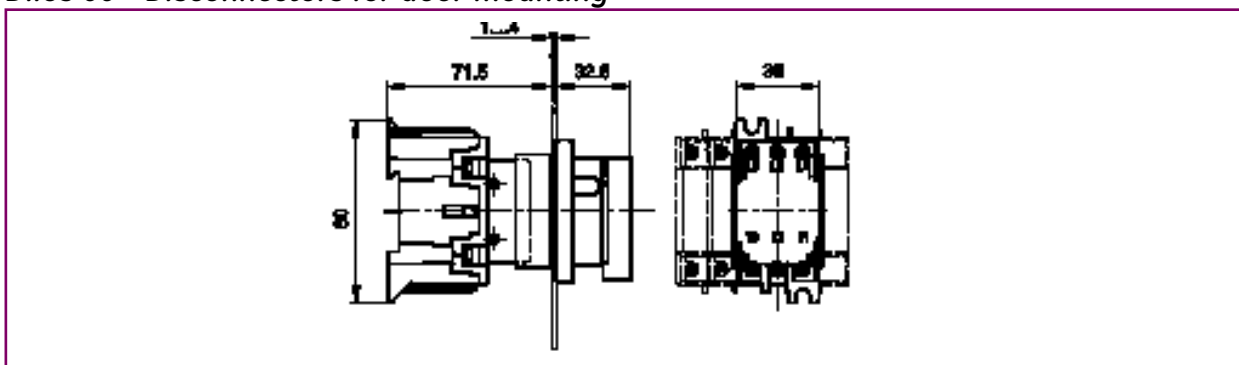
E

X

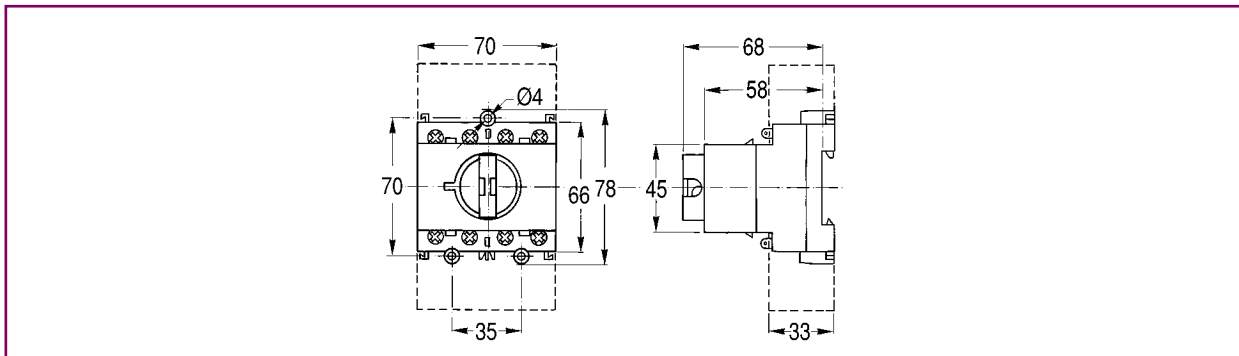
Dilos 00 - DIN-rail disconnectors



Dilos 00 - Disconnectors for door mounting



Dilos 0



Dilos 1

