



Loadbreak disconnectors for DIN-rail and wall mounting

Dilos 1 - 40A up to 125A
Dilos 2 - 160A up to 200A
Elos - 63A up to 125A



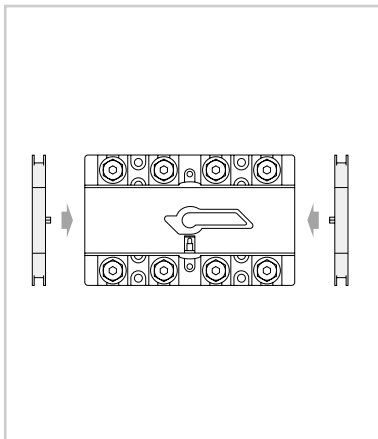
Applications



Approvals / Marking



Add-on devices



Performance

DIN-rail type and wall mounting type
 Main disconnector, safety disconnector
 Disconnect function
 Visible contact indication - transparent contact cover
 Quick make and quick break mechanism
 Independent opening and closing
 Positive contact indication (PCI)
 Double knife contacts - high short-circuit resistance
 Number of poles 2P - 3P - 4P
 Box terminals with inbus screws
 Padlockable

Standards



IEC 60947-1 and IEC 60947-3, DIN VDE 0660 Teil 107,
 BS EN 60947-3, CEI 17-11 (Fasc. 1039), EN 60947-3,
 NBN EN 60947-3, NF C 63-130, UL 508
 Safety disconnector (red/yellow) according to DIN VDE 0113 Teil 1

Technical data


	Dilos 1	Dilos 2	Elos
Rated thermal current	40A - 125A	160A - 200A	63A - 125A
Rated operational voltage Ue	690V	690V	690V
Rated insulation voltage Ui	690V	690V	690V
Peak short withstand circuit current	10kA	10kA	10kA
Rated short-circuit current	50kA	50kA	50kA
High 1s rated short time withstand Icw	3kA	3kA	3kA
Terminal capacity (Cu)	6 - 50 mm ²	Cu-rail 20x6	6 - 50 mm ²

Technical data ● pg. C.2
 Installation facilities ● pg. D.6
 Dimensions ● pg. E.3

Dilos 1 - DIN-rail disconnectors - 5 modules

Standard transparent	Description	In (A)	Cat. no.	Ref. no.	Pack.	
	2P	40	D/061212-201	730004	1	
		63	D/061214-201	730008	1	
		80	D/061215-201	730012	1	
		100	D/061216-201	730016	1	
		125	D/061217-201	730020	1	
	3P	40	D/061312-201	730049	1	
		63	D/061314-201	730055	1	
		80	D/061315-201	730061	1	
		100	D/061316-201	730067	1	
		125	D/061317-201	730073	1	
	4P	40	D/061412-201	730117	1	
		63	D/061414-201	730123	1	
		80	D/061415-201	730129	1	
		100	D/061416-201	730135	1	
		125	D/061417-201	730141	1	
3P+NF	Fixed neutral	40	D/061512-201	730185	1	
		63	D/061514-201	730189	1	
		80	D/061515-201	730193	1	
		100	D/061516-201	730197	1	
		125	D/061517-201	730201	1	
	3P	Red/yellow, according to DIN VDE 0113 Teil 1				
		40	D/061312-203	730050	1	
		63	D/061314-203	730056	1	
		100	D/061316-203	730068	1	
	4P	Red/yellow, according to DIN VDE 0113 Teil 1				
		40	D/061412-203	730118	1	
		63	D/061414-203	730124	1	
		100	D/061416-203	730136	1	
		125	D/061417-203	730142	1	

Accessories

	Handles for cover of hinged door IP65 - Padlockable		Terminals Al/Cu 35 mm ²				
	D/061910-002	730255	1	D/061912-013		731415	1
	Black - H = 55 mm Extension shaft L = 200 mm		Set of 3 terminals				
	D/061910-012	730257	1	D/061912-014	731416	1	
	Red/yellow - H = 55 mm Extension shaft L = 200 mm		Set of 4 terminals				
	D/061910-004		730256	1	Auxiliary contacts To mount on the right side		
Black - H = 55mm Extension shaft L = 400 mm		D/061901-001		730252	1		
D/061910-014		730258	1	1P CO			
Red/yellow - H = 55 mm Extension shaft L = 400 mm		D/061901-002		730253	1		
				2P CO			
	Padlocking device (Ø max 8 mm)		Bar or cable lug connection				
	D/061900-020	730250	1	D/061912-004		730260	1
For three padlocks		Conv. set 4P + terminal cover. For connecting cable lugs or bars Max. W = 15 mm					
	Terminal covers		Inbus key				
	D/061912-020	731024	1	D/061000-097		730000	1
	Transparent, sealable Set of 2 pieces (Not for additional Al-cable terminals)		Insulated S5 - L = 200 mm				

Dilos 1

A

B

C

D

E

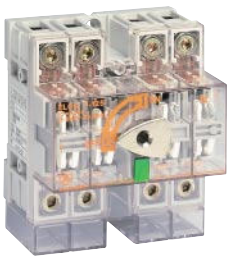
X

Elos - DIN-rail loadbreak disconnectors - 5 modules

Transparent



4P



Description	In (A)	Cat. no.	Ref. no.	Pack.
For electricity boards	63	D/061421-200	730806	1
	100	D/061420-200	730805	1
	125	D/061419-000	730144	1
With bottom cable protection IP20	125	D/061419-021	731466	1

Accessories



Cable protection		
D/061912-021	731467	1
IP20		

Padlocking device (Ø max 8 mm)		
D/061900-020	730250	1
For three padlocks		
Inbus key		
D/061000-097	730000	1
Insulated S5 - L = 200 mm		



Order codes

A

B

C

D

E

X

Dilos - Loadbreak disconnectors for DIN-rail mounting



			Dilos 00	Dilos 00	Dilos 00	Dilos 00	Dilos 0
Conventional enclosed thermal current $I_{the} = I_{th}$			(A) 16	25	32	40	32
Number of poles			3	3	3	3	2/3/4
Frequency			(Hz) 50/60	50/60	50/60	50/60	50/60
Rated thermal current at	40°C	(A)	16	25	32	40	32
	50°C	(A)	16	25	32	40	32
	60°C	(A)	16	25	32	40	32
Power loss per pole			(W) 0.12	0.35	0.6	1	0.6
Terminal capacity (Cu)	minimum	(mm ²)	1.5	1.5	1.5	1.5	2.5
	maximum	(mm ²)	16	16	16	16	25
Maximum torque on terminals			(Nm) 2.2	2.2	2.2	2.2	-
Rated operational voltage Ue			(V) 690	690	690	690	415
Rated insulation voltage Ui			(V) 690	690	690	690	415
Rated impulse withstand voltage (2000m) Uimp			(kV) 8	8	8	8	8
Impulse test voltage at sea level			(kV) 12.3	12.3	12.3	12.3	12.3
Rated operational current Ie AC21A	Ue=400V	(A)	16	25	32	40	32
	Ue=415V	(A)	16	25	32	40	32
	Ue=500V	(A)	16	25	32	40	-
	Ue=690V	(A)	16	25	32	40	-
Rated operational current Ie AC22A	Ue=400V	(A)	16	25	32	40	32
	Ue=415V	(A)	16	25	32	40	32
	Ue=500V	(A)	16	25	32	40	-
	Ue=690V	(A)	16	25	32	40	-
Rated operational current Ie AC23A	Ue=400V	(A)	16	25	32	40	32
	Ue=415V	(A)	16	25	32	40	32
	Ue=500V	(A)	16	25	32	40	-
	Ue=690V	(A)	16	25	25	25	-
Maximum rated operational power at rated duty AC23	Ue=400V	(kW)	7.5	7.5	11	11	17
	Ue=415V	(kW)	7.5	7.5	11	11	17
	Ue=500V	(kW)	7.5	7.5	11	15	-
	Ue=690V	(kW)	11	11	11	18.5	-
Rated making and breaking capacity at 415V AC23A	making 10 x Ie	(A)	160	250	320	400	320
	breaking 8 x Ie	(A)	128	200	256	320	256
Rated short time withstand current Icw	1 s.	(kA rms)	1	1	1.2	1.2	2.5
	0.25 s.	(kA rms)	-	-	-	-	-
Rated short-circuit making capacity Icm	Ue=400V	(kA peak)	4.5	4.5	4.5	4.5	6
	Ue=415V	(kA peak)	4.5	4.5	4.5	4.5	6
	Ue=500V	(kA peak)	3	3	3	3	-
	Ue=690V	(kA peak)	3	3	3	3	-
Rated conditional short-circuit current with back-up protection featuring the same current rating as the switch (kA rms)	400V	(kA)	50	50	50	50	15
	415V	(kA)	50	50	50	50	15
	500V	(kA)	50	50	50	50	-
	690V	(kA)	50	50	50	50	-
Rated capacity power at 400V			(kVAR)	-	-	-	-
Rated operational current DC23A	2P in series 110V	(A)	-	25	32	40	-
	2P in series 220V	(A)	-	25	-	-	-
	4P in series 220V	(A)	-	-	-	-	-
Operating torque			(Nm) 0.5	0.5	0.5	0.5	2.5
Force			(N)	-	-	-	50
Durability (number of operational cycles)	electrical		3000	3000	3000	3000	1000
	mechanical (min)		40000	40000	40000	40000	10000
UL listed following UL file E143291 (acc UL508)							
UL 508 General Use 480V			In (A)	-	-	-	-
UL 508 Manual motor controller 480V			FLA (A)	-	-	-	-
			Power (HP)	-	-	-	-
UL short-circuit at 480V			K5fu (kA)	-	-	-	-
			UL J-fuses (kA)	-	-	-	-
Weight	2P	(kg)	0.125	0.125	0.125	0.125	0.27
	3P	(kg)	0.125	0.125	0.125	0.125	0.29
	4P	(kg)	0.170	0.170	0.170	0.170	0.33

Technical data

A

B

C

D

E

X



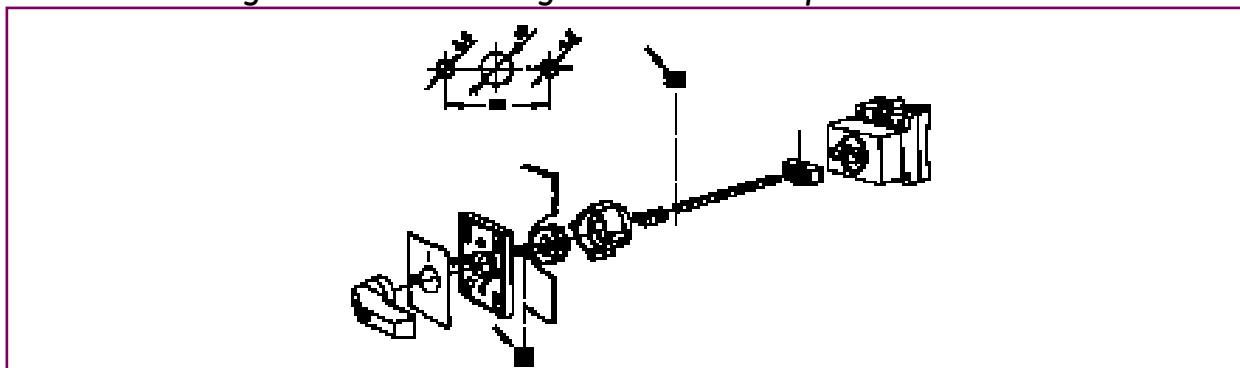
Dilos 0	Dilos 0	Dilos 1	Dilos 1	Dilos 1	Dilos 1	Dilos 1	Dilos 2	Dilos 2
40	63	40	63	80	100	125	160	200
2/3/4	2/3/4	2/3/4	2/3/4	2/3/4	2/3/4	2/3/4	2/3/4	2/3/4
50/60	50/60	50/60	50/60	50/60	50/60	50/60	50/60	50/60
40	63	40	63	80	100	125	160	200
40	63	40	63	80	100	125	160	200
40	63	40	63	80	100	125	160	200
1	1.6	0.48	1.2	1.84	2.9	4.5	6.5	10
2.5	2.5	6	6	6	6	6	Cu-rail	Cu-rail
25	25	50	50	50	50	50	20x6	20x6
-	-	12	12	12	12	12	12	12
415	415	690	690	690	690	690	690	690
415	415	690	690	690	690	690	690	690
8	8	8	8	8	8	8	8	8
12.3	12.3	12.3	12.3	12.3	12.3	12.3	12.3	12.3
40	63	40	63	80	100	125	160	200
40	63	40	63	80	100	125	160	200
-	-	40	63	80	100	100	160	200
-	-	40	63	80	100	100	160	200
40	63	40	63	80	100	125	160	200
40	63	40	63	80	100	125	160	200
-	-	40	63	80	100	100	160	200
-	-	40	50	63	63	63	160	200
40	63	40	50	80	80	80	125	160
40	63	40	50	80	80	80	125	160
-	-	25	32	50	50	50	125	125
-	-	18	25	40	40	40	63	80
21	21	21	27	44	44	44	69	88
21	21	22	28	46	46	46	72	92
-	-	22	22	35	35	35	86	86
-	-	22	22	36	36	36	60	76
400	630	400	630	800	1000	1250	1600	2000
320	504	320	504	640	800	1000	1280	1600
2.5	2.5	3	3	3	3	3	3	3
-	-	6	6	6	6	6	6	6
6	6	6.8	6.8	6.8	6.8	6.8	10	10
6	6	6.8	6.8	6.8	6.8	6.8	10	10
-	-	4.5	4.5	4.5	4.5	4.5	6.7	6.7
-	-	4.5	4.5	4.5	4.5	4.5	6.7	6.7
15	15	50	50	50	50	50	50	50
15	15	50	50	50	50	50	50	50
-	-	50	50	50	50	50	50	30
-	-	32	32	32	32	32	20	18
-	-	20	30	40	50	60	77	97
-	-	40	63	80	100	100	160	160
-	-	40	63	-	-	-	100	100
-	-	-	-	80	100	125	160	160
2.5	2.5	1.4	1.4	1.4	1.4	1.4	1.4	1.4
50	50	45	45	45	45	45	45	45
1000	1000	1500	1500	1500	1500	1500	1000	1000
10000	10000	20000	20000	20000	20000	20000	10000	10000
-	-	-	60	-	-	80	100	125
-	-	-	21	-	-	27	34	40
-	-	-	15	-	-	20	25	30
-	-	-	40	-	-	40	40	40
-	-	-	50	-	-	50	50	50
0.27	0.27	0.48	0.48	0.48	0.48	0.48	0.62	0.62
0.29	0.29	0.54	0.54	0.54	0.54	0.54	0.73	0.73
0.33	0.33	0.59	0.59	0.59	0.59	0.59	0.77	0.77

- A
- B
- C
- D
- E
- X

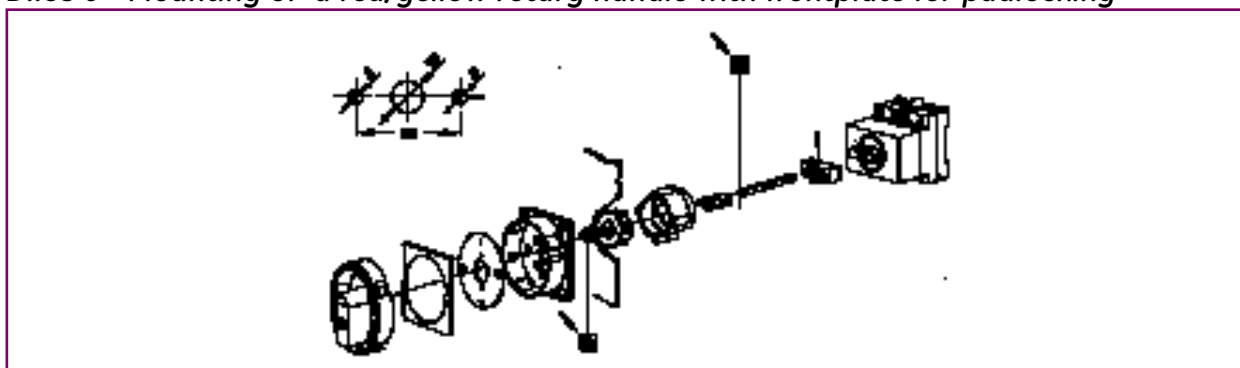


Installation facilities

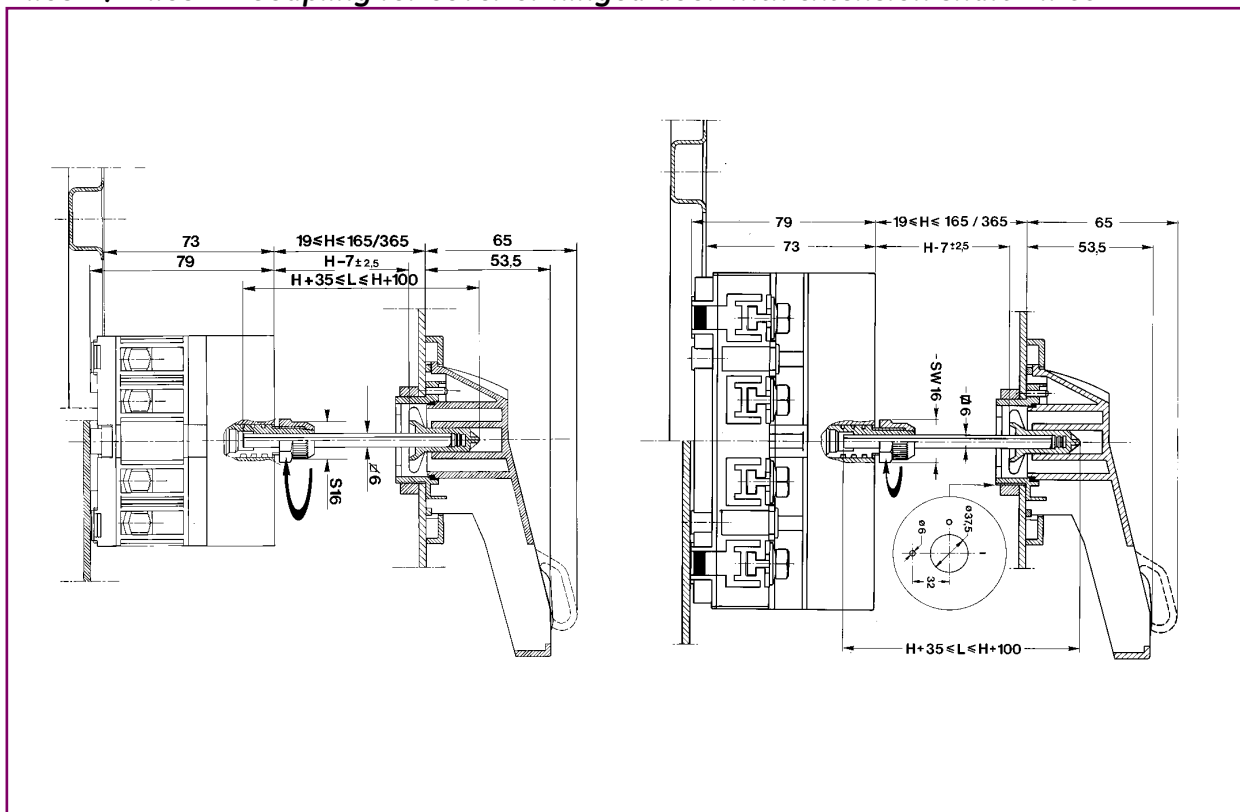
Dilos 0 - Mounting of a standard rotary handle with frontplate



Dilos 0 - Mounting of a red/yellow rotary handle with frontplate for padlocking

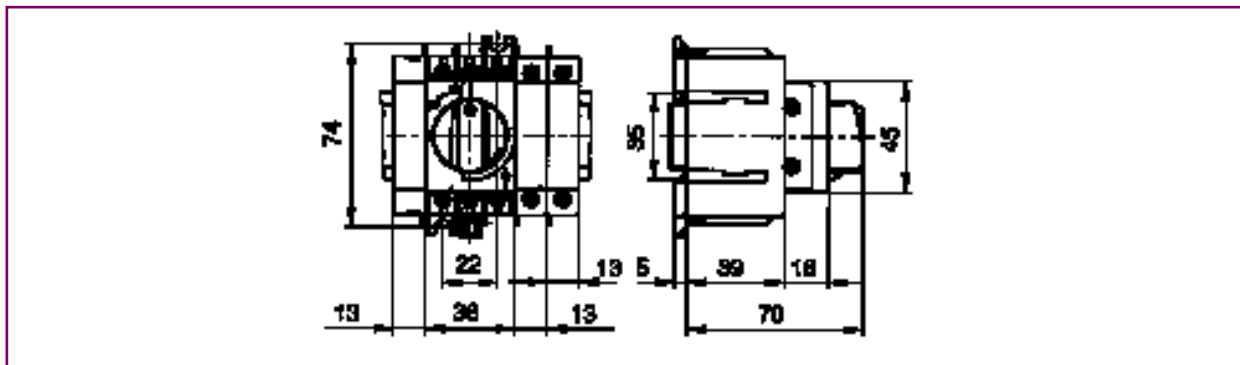


Dilos 1 / Dilos 2 - Coupling for cover or hinged door with extension shaft - IP65

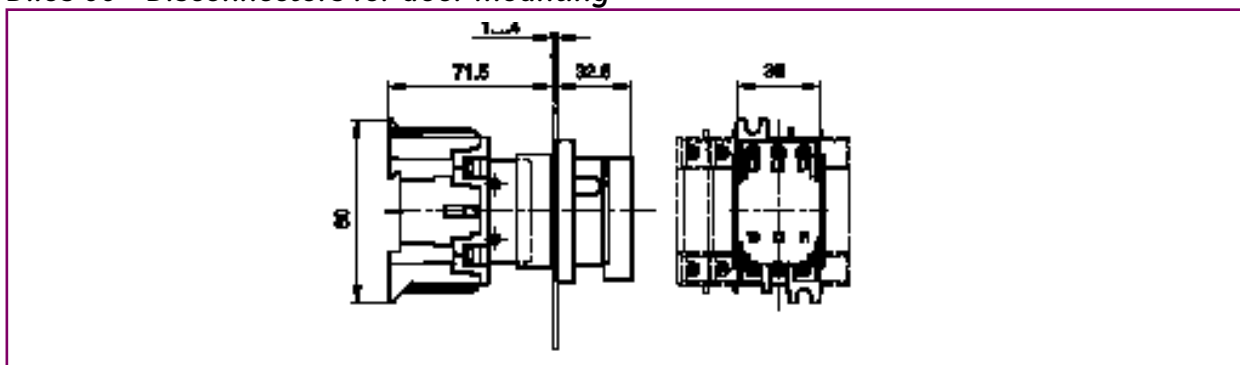


- A
- B
- C
- D**
- E
- X

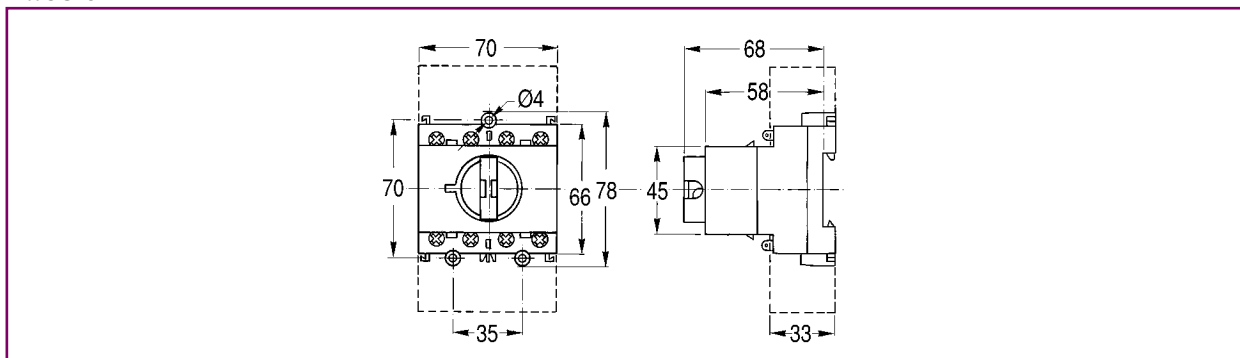
Dilos 00 - DIN-rail disconnectors



Dilos 00 - Disconnectors for door mounting



Dilos 0



Dilos 1

