



## Loadbreak disconnectors for DIN-rail and wall mounting

**Dilos 1 - 40A up to 125A**  
**Dilos 2 - 160A up to 200A**  
**Elos - 63A up to 125A**



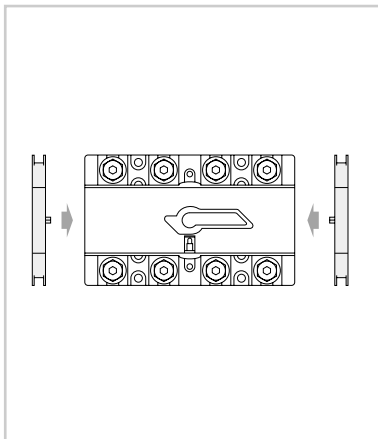
### Applications



### Approvals / Marking



### Add-on devices



### Performance

DIN-rail type and wall mounting type  
 Main disconnector, safety disconnector  
 Disconnect function  
 Visible contact indication - transparent contact cover  
 Quick make and quick break mechanism  
 Independent opening and closing  
 Positive contact indication (PCI)  
 Double knife contacts - high short-circuit resistance  
 Number of poles 2P - 3P - 4P  
 Box terminals with inbus screws  
 Padlockable

### Standards



IEC 60947-1 and IEC 60947-3, DIN VDE 0660 Teil 107,  
 BS EN 60947-3, CEI 17-11 (Fasc. 1039), EN 60947-3,  
 NBN EN 60947-3, NF C 63-130, UL 508  
 Safety disconnector (red/yellow) according to DIN VDE 0113 Teil 1

### Technical data

	Dilos 1	Dilos 2	Elos
Rated thermal current	40A - 125A	160A - 200A	63A - 125A
Rated operational voltage Ue	690V	690V	690V
Rated insulation voltage Ui	690V	690V	690V
Peak short withstand circuit current	10kA	10kA	10kA
Rated short-circuit current	50kA	50kA	50kA
High 1s rated short time withstand Icw	3kA	3kA	3kA
Terminal capacity (Cu)	6 - 50 mm <sup>2</sup>	Cu-rail 20x6	6 - 50 mm <sup>2</sup>

Technical data ● pg. C.2  
 Installation facilities ● pg. D.6  
 Dimensions ● pg. E.3


**Dilos 2 - DIN-rail loadbreak disconnectors - 8 modules**

Transparent	Description	In (A)	Cat. no.	Ref. no.	Pack.		
	2P	160	D/061224-201	730034	1		
		200	D/061226-201	730042	1		
	3P	160	D/061324-201	730088	1		
		200	D/061326-201	730096	1		
	4P	160	D/061424-201	730157	1		
		200	D/061426-201	730165	1		
3P+NF	Fixed neutral	160	D/061524-201	730215	1		
		200	D/061526-201	730223	1		
<b>Safety</b>							
	3P	Red/yellow, according to DIN VDE 0113 Teil 1		160	D/061324-203	730089	1
		200	D/061326-203	730097	1		
	4P	Red/yellow, according to DIN VDE 0113 Teil 1		160	D/061424-203	730158	1
		200	D/061426-203	730166	1		

**Accessories**

	<b>Handles for cover of hinged door</b>		<b>Mantle terminals</b>				
	IP65 - Padlockable		Ø max 14 mm				
	D/061910-002	730255	1	D/061922-003		730261	1
	Black - H = 55 mm		Set of 3 pieces				
	Extension shaft L = 200 mm		D/061922-004	730262		1	
	Red/yellow - H = 55 mm		Set of 4 pieces				
Extension shaft L = 200 mm							
D/061910-004	730256	1	<b>Auxiliary contacts</b>				
Black - H = 55 mm		To mount on the right side					
Extension shaft L = 400 mm		D/061901-001	730252	1			
D/061910-014	730258	1	1P CO				
Red/yellow - H = 55 mm		D/061901-002	730253	1			
Extension shaft L = 400 mm		2P CO					
	<b>Padlocking device (Ø max 8 mm)</b>		<b>Wire connections</b>				
	D/061900-020	730250	1	D/061922-030		730281	1
For three padlocks		10 Faston tabs 6.3 x 0.8 mm					
		for 2.5 mm <sup>2</sup> connections					
	<b>Terminal cover</b>		<b>Inbus key</b>				
	D/061922-020	730263	1	D/061000-097		730000	1
		Insulated S5 - L = 200 mm					

**Dilos - Loadbreak disconnectors for DIN-rail mounting**

			Dilos 00	Dilos 00	Dilos 00	Dilos 00	Dilos 0
							
Conventional enclosed thermal current $I_{the} = I_{th}$	(A)		16	25	32	40	32
Number of poles			3	3	3	3	2/3/4
Frequency	(Hz)		50/60	50/60	50/60	50/60	50/60
Rated thermal current at	40°C	(A)	16	25	32	40	32
	50°C	(A)	16	25	32	40	32
	60°C	(A)	16	25	32	40	32
Power loss per pole	(W)		0.12	0.35	0.6	1	0.6
Terminal capacity (Cu)	minimum	(mm <sup>2</sup> )	1.5	1.5	1.5	1.5	2.5
	maximum	(mm <sup>2</sup> )	16	16	16	16	25
Maximum torque on terminals	(Nm)		2.2	2.2	2.2	2.2	-
Rated operational voltage Ue	(V)		690	690	690	690	415
Rated insulation voltage Ui	(V)		690	690	690	690	415
Rated impulse withstand voltage (2000m) Uimp	(kV)		8	8	8	8	8
Impulse test voltage at sea level	(kV)		12.3	12.3	12.3	12.3	12.3
Rated operational current Ie AC21A	Ue=400V	(A)	16	25	32	40	32
	Ue=415V	(A)	16	25	32	40	32
	Ue=500V	(A)	16	25	32	40	-
	Ue=690V	(A)	16	25	32	40	-
Rated operational current Ie AC22A	Ue=400V	(A)	16	25	32	40	32
	Ue=415V	(A)	16	25	32	40	32
	Ue=500V	(A)	16	25	32	40	-
	Ue=690V	(A)	16	25	32	40	-
Rated operational current Ie AC23A	Ue=400V	(A)	16	25	32	40	32
	Ue=415V	(A)	16	25	32	40	32
	Ue=500V	(A)	16	25	32	40	-
	Ue=690V	(A)	16	25	25	25	-
Maximum rated operational power at rated duty AC23	Ue=400V	(kW)	7.5	7.5	11	11	17
	Ue=415V	(kW)	7.5	7.5	11	11	17
	Ue=500V	(kW)	7.5	7.5	11	15	-
	Ue=690V	(kW)	11	11	11	18.5	-
Rated making and breaking capacity at 415V AC23A	making 10 x Ie	(A)	160	250	320	400	320
	breaking 8 x Ie	(A)	128	200	256	320	256
Rated short time withstand current Icw	1 s.	(kA rms)	1	1	1.2	1.2	2.5
	0.25 s.	(kA rms)	-	-	-	-	-
Rated short-circuit making capacity Icm	Ue=400V	(kA peak)	4.5	4.5	4.5	4.5	6
	Ue=415V	(kA peak)	4.5	4.5	4.5	4.5	6
	Ue=500V	(kA peak)	3	3	3	3	-
	Ue=690V	(kA peak)	3	3	3	3	-
Rated conditional short-circuit current with back-up protection featuring the same current rating as the switch (kA rms)	400V	(kA)	50	50	50	50	15
	415V	(kA)	50	50	50	50	15
	500V	(kA)	50	50	50	50	-
	690V	(kA)	50	50	50	50	-
Rated capacity power at 400V	(kVAR)		-	-	-	-	-
Rated operational current DC23A	2P in series 110V	(A)	-	25	32	40	-
	2P in series 220V	(A)	-	25	-	-	-
	4P in series 220V	(A)	-	-	-	-	-
Operating torque	(Nm)		0.5	0.5	0.5	0.5	2.5
Force	(N)		-	-	-	-	50
Durability (number of operational cycles)	electrical		3000	3000	3000	3000	1000
	mechanical (min)		40000	40000	40000	40000	10000
UL listed following UL file E143291 (acc UL508)							
UL 508 General Use 480V	In	(A)	-	-	-	-	-
UL 508 Manual motor controller 480V	FLA	(A)	-	-	-	-	-
	Power	(HP)	-	-	-	-	-
UL short-circuit at 480V	K5fu	(kA)	-	-	-	-	-
	UL J-fuses	(kA)	-	-	-	-	-
Weight	2P	(kg)	0.125	0.125	0.125	0.125	0.27
	3P	(kg)	0.125	0.125	0.125	0.125	0.29
	4P	(kg)	0.170	0.170	0.170	0.170	0.33

Technical data

A

B

C

D

E

X



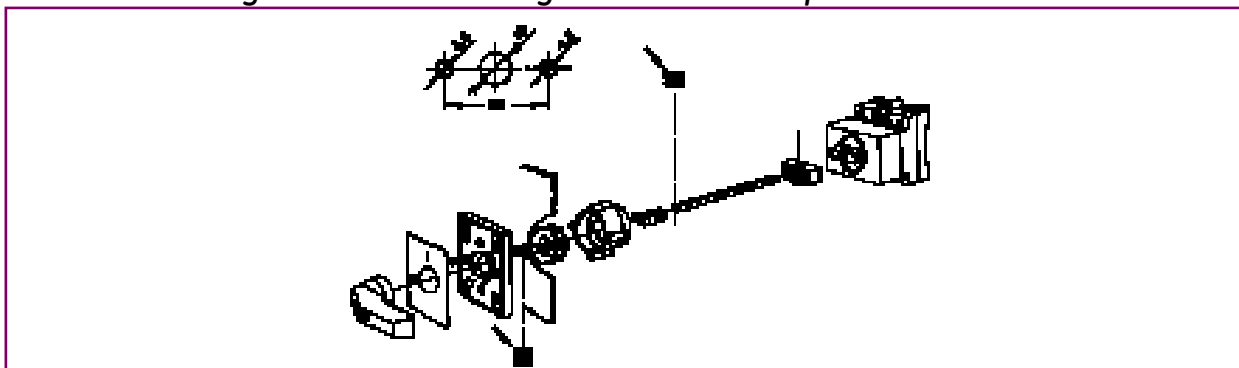
Dilos 0	Dilos 0	Dilos 1	Dilos 1	Dilos 1	Dilos 1	Dilos 1	Dilos 2	Dilos 2
40	63	40	63	80	100	125	160	200
2/3/4	2/3/4	2/3/4	2/3/4	2/3/4	2/3/4	2/3/4	2/3/4	2/3/4
50/60	50/60	50/60	50/60	50/60	50/60	50/60	50/60	50/60
40	63	40	63	80	100	125	160	200
40	63	40	63	80	100	125	160	200
40	63	40	63	80	100	125	160	200
1	1.6	0.48	1.2	1.84	2.9	4.5	6.5	10
2.5	2.5	6	6	6	6	6	Cu-rail	Cu-rail
25	25	50	50	50	50	50	20x6	20x6
-	-	12	12	12	12	12	12	12
415	415	690	690	690	690	690	690	690
415	415	690	690	690	690	690	690	690
8	8	8	8	8	8	8	8	8
12.3	12.3	12.3	12.3	12.3	12.3	12.3	12.3	12.3
40	63	40	63	80	100	125	160	200
40	63	40	63	80	100	125	160	200
-	-	40	63	80	100	100	160	200
-	-	40	63	80	100	100	160	200
40	63	40	63	80	100	125	160	200
40	63	40	63	80	100	125	160	200
-	-	40	63	80	100	100	160	200
-	-	40	50	63	63	63	160	200
40	63	40	50	80	80	80	125	160
40	63	40	50	80	80	80	125	160
-	-	25	32	50	50	50	125	125
-	-	18	25	40	40	40	63	80
21	21	21	27	44	44	44	69	88
21	21	22	28	46	46	46	72	92
-	-	22	22	35	35	35	86	86
-	-	22	22	36	36	36	60	76
400	630	400	630	800	1000	1250	1600	2000
320	504	320	504	640	800	1000	1280	1600
2.5	2.5	3	3	3	3	3	3	3
-	-	6	6	6	6	6	6	6
6	6	6.8	6.8	6.8	6.8	6.8	10	10
6	6	6.8	6.8	6.8	6.8	6.8	10	10
-	-	4.5	4.5	4.5	4.5	4.5	6.7	6.7
-	-	4.5	4.5	4.5	4.5	4.5	6.7	6.7
15	15	50	50	50	50	50	50	50
15	15	50	50	50	50	50	50	50
-	-	50	50	50	50	50	50	30
-	-	32	32	32	32	32	20	18
-	-	20	30	40	50	60	77	97
-	-	40	63	80	100	100	160	160
-	-	40	63	-	-	-	100	100
-	-	-	-	80	100	125	160	160
2.5	2.5	1.4	1.4	1.4	1.4	1.4	1.4	1.4
50	50	45	45	45	45	45	45	45
1000	1000	1500	1500	1500	1500	1500	1000	1000
10000	10000	20000	20000	20000	20000	20000	10000	10000
-	-	-	60	-	-	80	100	125
-	-	-	21	-	-	27	34	40
-	-	-	15	-	-	20	25	30
-	-	-	40	-	-	40	40	40
-	-	-	50	-	-	50	50	50
0.27	0.27	0.48	0.48	0.48	0.48	0.48	0.62	0.62
0.29	0.29	0.54	0.54	0.54	0.54	0.54	0.73	0.73
0.33	0.33	0.59	0.59	0.59	0.59	0.59	0.77	0.77

- A
- B
- C
- D
- E
- X

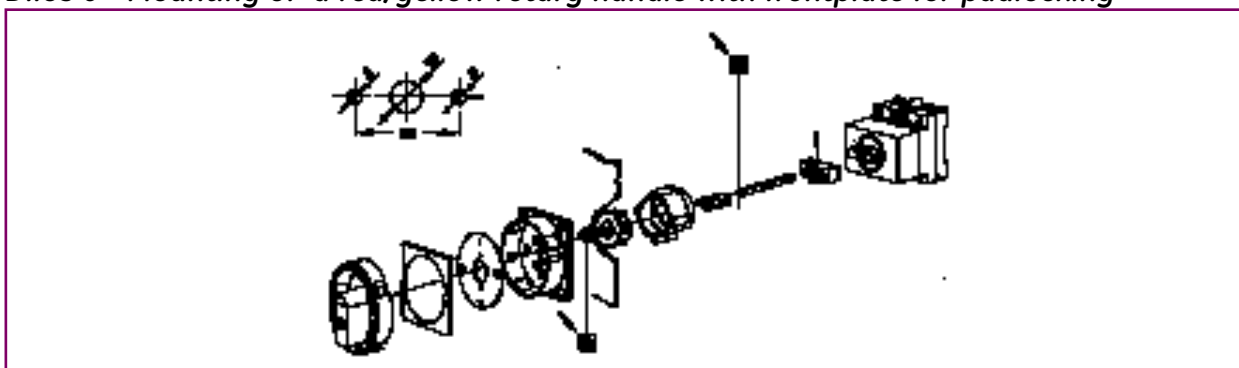


*Installation facilities*

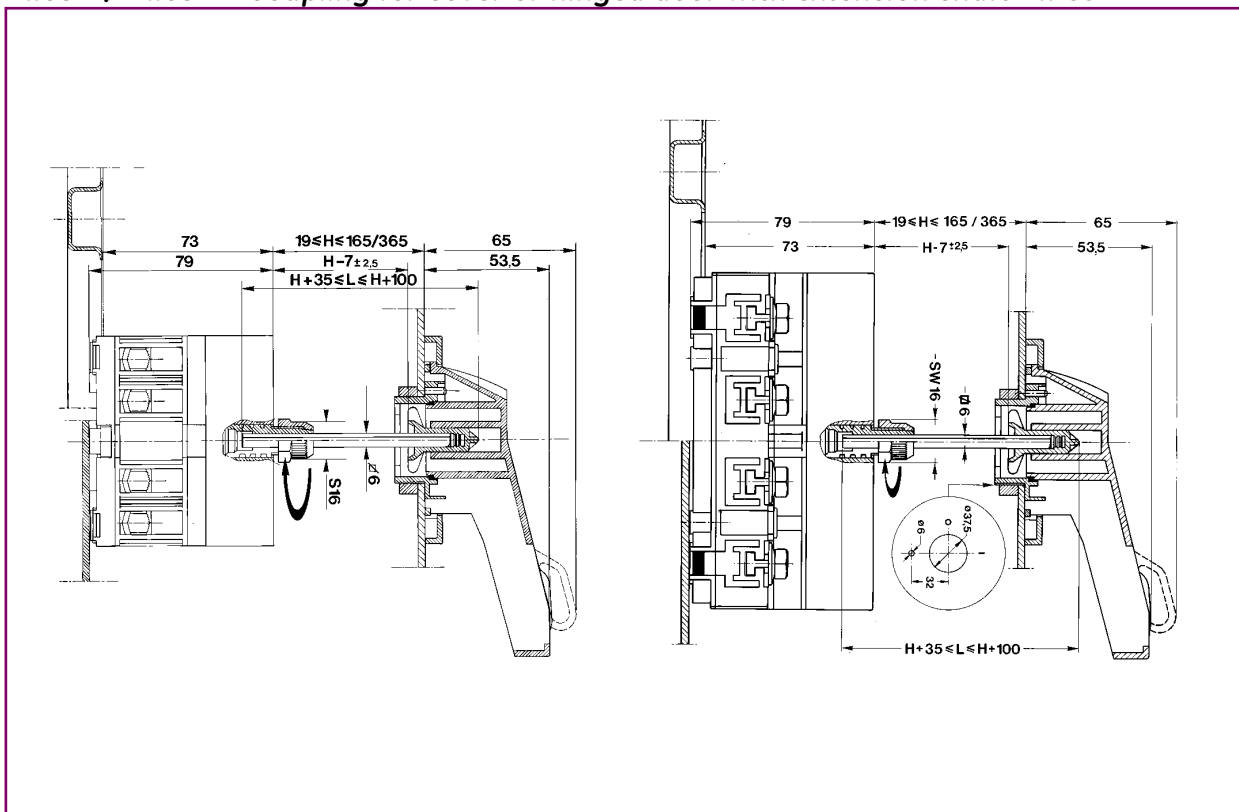
*Dilos 0 - Mounting of a standard rotary handle with frontplate*



*Dilos 0 - Mounting of a red/yellow rotary handle with frontplate for padlocking*



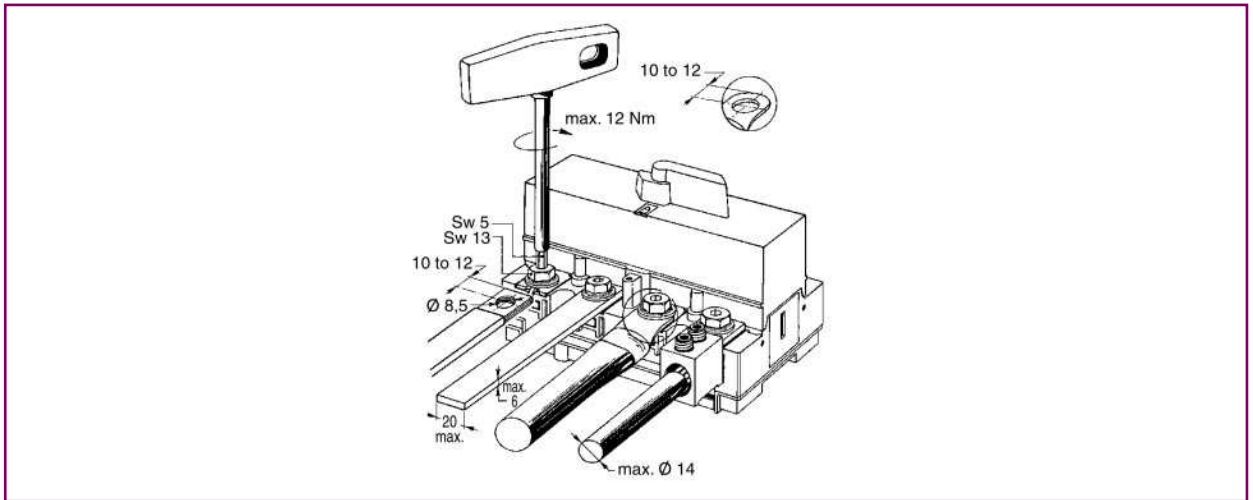
*Dilos 1 / Dilos 2 - Coupling for cover or hinged door with extension shaft - IP65*



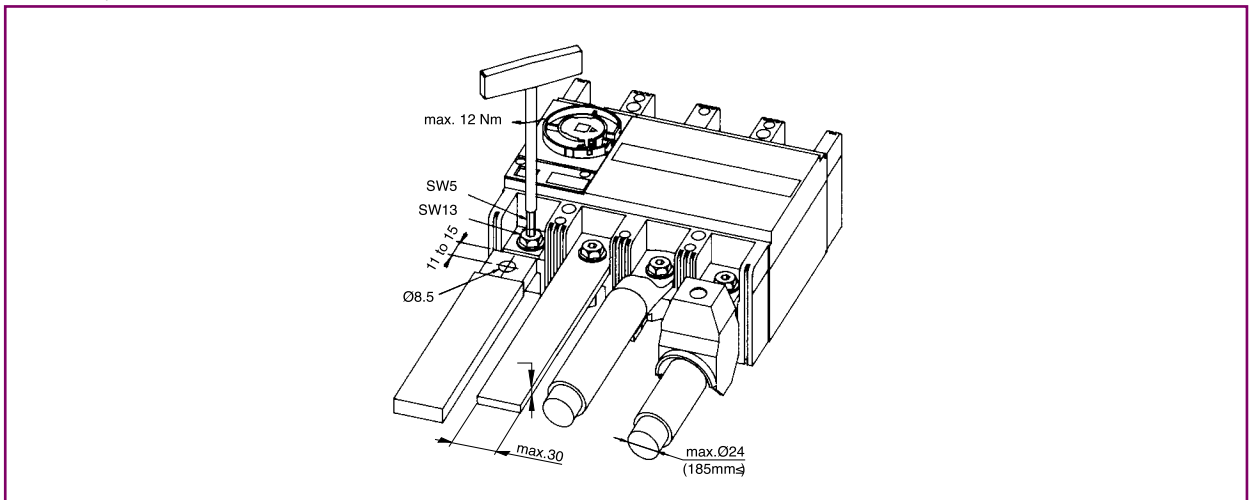
- A
- B
- C
- D**
- E
- X

Connection possibilities

Dilos 2



Dilos 3 / Fulos 00



Dilos 4 / Fulos 1 / Fulos 2

