



Loadbreak disconnectors for wall mounting

Dilos 1H - 40A up to 125A
Dilos 3 - 160A up to 315A
Dilos 4 - 400A up to 630A



Order codes

A

B

C

D

E

X

Applications



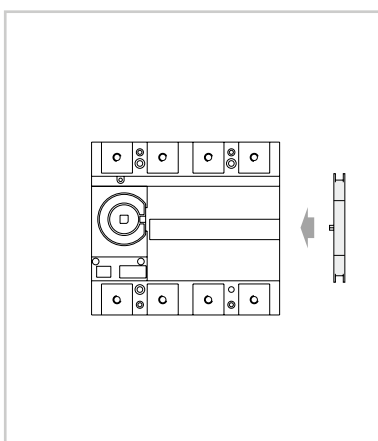
Approvals / Marking



Dilos 1H-3-4

Dilos 1H

Add-on devices



Performance

Wall mounting
 Main disconnector, safety disconnector
 Disconnect function
 Visible contact indication - transparent cover
 Quick make and quick break mechanism
 Independent opening and closing
 Positive contact indication (PCI)
 Defeat mechanism rotary handle
 Double knife contacts - high short-circuit resistance
 Number of poles 3P - 4P
 With changeover system

Standards

IEC 60947-1 and IEC 60947-3, DIN VDE 0660 Teil 107,
 BS EN 60947-3, CEI 17-11 (Fasc. 1039), EN 60947-3,
 NBN EN 60947-3, NF C 63-130, UL 508
 Safety disconnector (red/yellow) according to DIN VDE 0113 Teil 1

Technical data

	Dilos 1H	Dilos 3	Dilos 4
Rated thermal current	40A - 125A	160A - 315A	400A - 630A
Rated operational voltage Ue	690V	690V	690V
Rated insulation voltage Ui	1000V	1000V	1000V
Peak short withstand circuit current	10kA	30kA	60kA
Rated short-circuit current	50kA	100kA	100kA
High 1s rated short time withstand Icw	3kA	9kA	20kA
Terminal capacity (Cu)	6 - 50 mm ²	Cu-rail 30x6	Cu-rail 2x40x6

Technical data ● pg. C.4
 Installation facilities ● pg. D.6
 Dimensions ● pg. E.4



Dilos 4 - Loadbreak disconnectors for wall mounting

Transparent	Description	In (A)	Cat. no.	Ref. no.	Pack.
3P		400	D/061344-201	730474	1
		500	D/061345-201	730476	1
		630	D/061346-201	730478	1
3P+N		400	D/061444-201	730502	1
		500	D/061445-201	730504	1
		630	D/061446-201	730506	1
3P+NF	Fixed neutral	400	D/061544-201	730530	1
		500	D/061545-201	730532	1
		630	D/061546-201	730534	1

Accessories

	Direct handles D/061950-252 731540 1 Low, black	Standard auxiliary contacts To be added on the right side D/061901-001 730252 1 1P CO D/061901-002 730253 1 2P CO Max. current rating for AC 15 and DC 13 AC 3A at 380V 5A at 220V DC 0.5A at 220V 0.7A at 110V 1A at 60V 2A at 48V 4A at 24V	
	D/061950-251 730653 1 With key lock possibility (Keylock not included)		
	Handles for cover or hinged door IP54 - Defeat - Padlockable With extension shaft 300 mm (14/14)	Anticipated auxiliary contacts (earlyly make and early break) To be mounted inside P9B10VN 187002 1 1P NO P9B01VR 187003 1 1P NC	
	D/062940-241 730667 1 Grey D/062940-281 730855 1 Set for discon. with N on the right: grey		
	Handles for inner door IP65 - Padlockable	Terminals (Cu or Al 240 mm²) D/062942-213 730633 1 Set of 3 V box terminals with cover D/062942-214 730634 1 Set of 4 V box terminals with cover	
	D/062947-202 731352 1 Black, reduced height 55 mm With extension shaft 300 mm		
	Key lock D/769080-000 769080 1 Plug-in for handles	Rear connections with cover D/062942-253 730635 1 Set of 3 pieces D/062942-254 730636 1 Set of 4 pieces	
	Changeover system (I-O-II) With extension shaft 300 mm, padlockable handle, gasket, flange and template		
	D/062940-265 730669 1 With handle IP54 - defeat	Terminal covers D/062942-220 730618 1 Set of 2 long terminal covers 4P - boxed D/062942-226 731461 1 Set of 2 short terminal covers 4P IP20 - box terminal - sealable D/062942-221 730619 1 Set of 2 connection bolt covers 4P	
	D/062947-265 731457 1 With black handle IP65		

Dilos - Loadbreak disconnectors for wall mounting



			Dilos 1H	Dilos 1H	Dilos 1H	Dilos 3	Dilos 3	Dilos 3	
Conventional enclosed thermal current $I_{the} = I_{th}$			(A)	40	63	125	160	200	250
Number of poles				3/4	3/4	3/4	3/4	3/4	3/4
Frequency			(Hz)	50/60	50/60	50/60	50/60	50/60	50/60
Rated thermal current at	40°C	(A)	40	63	125	160	200	250	
	50°C	(A)	40	63	125	160	200	250	
	60°C	(A)	40	63	125	160	200	250	
Power loss per pole			(W)	0.9	2.2	8.5	3	4.8	7.5
Terminal capacity (Cu)	minimum	(mm ²)	6	6	6	Cu-rail	Cu-rail	Cu-rail	
	maximum	(mm ²)	50	50	50	30x6	30x6	30x6	
Maximum torque on terminals			(Nm)	12	12	12	12	12	12
Rated operational voltage Ue			(V)	690	690	690	690	690	690
Rated insulation voltage Ui			(V)	1000	1000	1000	1000	1000	1000
Rated impulse withstand voltage (2000m) Uimp			(kV)	8	8	8	8	8	8
Impulse test voltage at sea level			(kV)	12.3	12.3	12.3	12.3	12.3	12.3
Rated operational current Ie	Ue=400V	(A)	40	63	125	160	200	250	
	AC21A up to 250A	Ue=415V	(A)	40	63	125	160	200	250
	AC21B from 315A	Ue=500V	(A)	40	63	125	160	200	250
		Ue=690V	(A)	40	63	125	160	200	250
Rated operational current Ie	Ue=400V	(A)	40	63	125	160	200	250	
	AC22A up to 250A	Ue=415V	(A)	40	63	125	160	200	250
	AC22B from 315A	Ue=500V	(A)	40	63	125	160	200	250
		Ue=690V	(A)	40	63	125	160	200	250
Rated operational current Ie	Ue=400V	(A)	40	63	125	160	200	250	
	AC23A up to 250A	Ue=415V	(A)	40	63	125	160	200	250
	AC23B from 315A	Ue=500V	(A)	40	63	125	160	200	250
		Ue=690V	(A)	40	50	50	160	200	250
Maximum rated operational power at rated duty AC23	Ue=400V	(kW)	21	30	69	88	88	135	
	Ue=415V	(kW)	22	33	72	92	92	140	
	Ue=500V	(kW)	27	44	86	110	175	175	
	Ue=690V	(kW)	36	45	45	140	190	190	
Rated making and breaking capacity at 500Vac 23A	making 10 x Ie	(A)	400	630	1250	1600	2000	2500	
	breaking 8 x Ie	(A)	320	504	1000	1280	1600	2000	
Rated short time withstand Icw	1 s.	(kA rms)	3	3	3	9	9	9	
	0.25 s.	(kA rms)	6	6	6	15	15	15	
Rated short-circuit making capacity Icm	Ue=400V	(kA peak)	10	10	10	30	30	30	
	Ue=415V	(kA peak)	10	10	10	30	30	30	
	Ue=500V	(kA peak)	7	7	7	30	30	30	
	Ue=690V	(kA peak)	7	7	7	30	30	30	
Rated conditional short-circuit current with back-up protection featuring the same current rating as the switch (kA ms)	400V	(kA)	50	50	50	100	100	100	
	415V	(kA)	50	50	50	100	100	100	
	500V	(kA)	50	50	50	100	100	100	
	690V	(kA)	33	33	33	100	100	100	
Rated capacity power at 400V			(kVAR)	19	30	60	77	97	120
Rated operational current DC23A	2P in series 110V	(A)	40	63	100	160	200	250	
	2P in series 220V	(A)	40	63	-	100	160	160	
	4P in series 220V	(A)	-	-	100	160	200	250	
Operating torque			(Nm)	8	8	8	12	12	12
Force			(N)	80	80	80	120	120	120
Durability (number of operational cycles)	electrical		5000	2000	1000	3000	1000	1000	
	mechanical (min)		15000	15000	10000	10000	10000	10000	
UL listed following UL file E143291 (acc UL508)									
UL 508 General Use 480V	In	A	30	60	100	-	-	-	
UL 508 Manual motor controller 480V	FLA	A	-	-	-	-	-	-	
	Power	(HP)	-	-	-	-	-	-	
UL short-circuit at 480V	K5fu	(kA)	10	10	10	-	-	-	
	UL J-fuses	(kA)	50	50	50	-	-	-	
Weight	2P	(kg)	-	-	-	-	-	-	
	3P	(kg)	1.18	1.18	1.18	2.75	2.75	2.75	
	4P	(kg)	1.25	1.25	1.25	2.90	2.90	2.90	

Technical data

A

B

C

D

E

X



Dilos 3	Dilos 4	Dilos 4	Dilos 4	Dilos 6S 35/50kA	Dilos 6S 35/50kA	Dilos 6S 35/50kA	Dilos 7S	Dilos 8S	Dilos 8S	Dilos 9S	Dilos 9
315	400	500	630	800	1000	1250	1600	2000	2500	3150	4000
3/4	3/4	3/4	3/4	3/4	3/4	3/4	3/4	3/4	3/4	3/4	3/4
50/60	50/60	50/60	50/60	50/60	50/60	50/60	50/60	50/60	50/60	50/60	50/60
315	400	500	630	800	1000	1250	1600	2000	2500	3150	4000
315	400	500	630	720	900	1125	1440	1800	2250	2835	3600
315	400	500	630	640	800	1000	1280	1600	2000	2520	3200
12	10.5	16	26	29	45	70	95	103	133	420	500
Cu-rail	Cu-rail	Cu-rail	Cu-rail	Cu-rail	Cu-rail	Cu-rail	Cu-rail	Cu-rail	Cu-rail	Cu-rail	Cu-rail
30x6	40x6	40x6	40x6	2x50x5	2x50x6	2x50x8	2x60x10	2x80x10	2x80x10	4x100x10	4x100x10
12	60	60	60	35	35	35	35	35	35	35	35
690	690	690	690	1000	1000	1000	1000	1000	1000	1000	1000
1000	1000	1000	1000	1500	1500	1500	1500	1500	1500	1500	1500
8	8	8	8	12	12	12	8	8	8	8	8
12.3	12.3	12.3	12.3	18.5	18.5	18.5	12.3	12.3	12.3	12.3	12.3
315	400	500	630	800	1000	1250	1600	2000	2500	3150	4000
315	400	500	630	800	1000	1250	1600	2000	2500	3150	4000
315	400	500	630	800	1000	1250	1600	2000	2500	3150	4000
315	400	500	630	800	1000	1250	1600	2000	2500	3150	4000
315	400	500	630	800	1000	1250	1600	2000	2500	-	-
315	400	500	630	800	1000	1250	1600	2000	2500	-	-
315	400	500	630	800	1000	1250	1250	1250	1250	-	-
315	400	500	630	800	1000	1250	1000	1000	800	-	-
315	400	500	630	800	1000	1250	1250	1250	-	-	-
315	400	500	630	800	1000	1250	1250	1250	-	-	-
200	400	400	450	500	630	630	630	630	-	-	-
165	218	270	335	-	-	-	-	-	-	-	-
175	230	285	375	-	-	-	-	-	-	-	-
220	295	370	405	-	-	-	-	-	-	-	-
190	390	440	440	-	-	-	-	-	-	-	-
3150	4000	5000	6300	8000	10000	12500	16000	20000	-	-	-
2520	3200	4000	5040	6400	8000	10000	12800	16000	-	-	-
9	20	20	20	35 / 50	35 / 50	35 / 50	50	50	50	50	50
15	35	35	35	70 / 100	70 / 100	70 / 100	120	120	140	140	100
30	60	60	60	73.5 / 105	73.5 / 105	73.5 / 105	105	105	105	105	105
30	60	60	60	73.5 / 105	73.5 / 105	73.5 / 105	105	105	105	105	105
30	60	60	60	-	-	-	-	-	-	-	-
30	60	60	60	-	-	-	-	-	-	-	-
70	100	100	100	50	50	50	50	50	50	50	50
70	100	100	100	50	50	50	50	50	50	50	50
50	100	100	100	-	-	-	-	-	-	-	-
50	100	100	100	-	-	-	-	-	-	-	-
152	193	242	305	380	475	600	780	850	1100	1250	-
315	400	-	-	800	1000	1250	800	800	-	-	-
160	-	-	-	800	1000	1000	800	800	-	-	-
315	400	-	-	-	-	-	-	-	-	-	-
12	40	40	40	45 / 70	45 / 70	45 / 70	70	70	70	70	150
120	333	333	333	160	160	160	174	174	174	174	330
800	1000	700	500	1000	1000	1000	1000	500	500	500	500
10000	5000	5000	5000	4000	4000	4000	4000	2500	2500	2500	2500
-	-	-	-	-	-	-	-	-	-	-	-
-	-	-	-	-	-	-	-	-	-	-	-
-	-	-	-	-	-	-	-	-	-	-	-
-	-	-	-	-	-	-	-	-	-	-	-
-	-	-	-	-	-	-	-	-	-	-	-
2.75	9.00	9.00	9.00	11	11	11	17	19	27	40	84
2.90	9.60	9.60	9.60	12	12	12	19	20	30	44	108

A

B

C

D

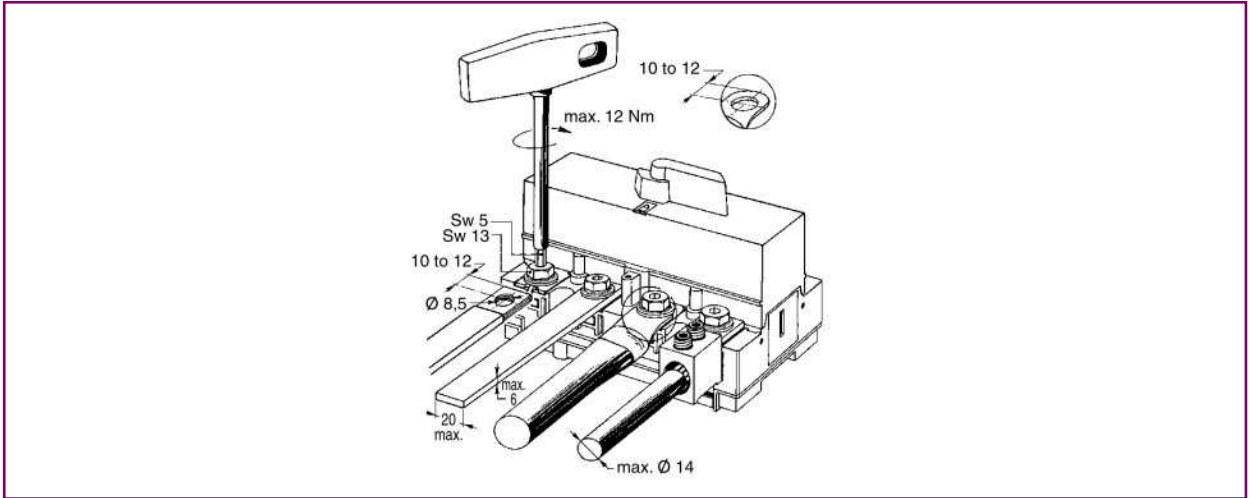
E

X

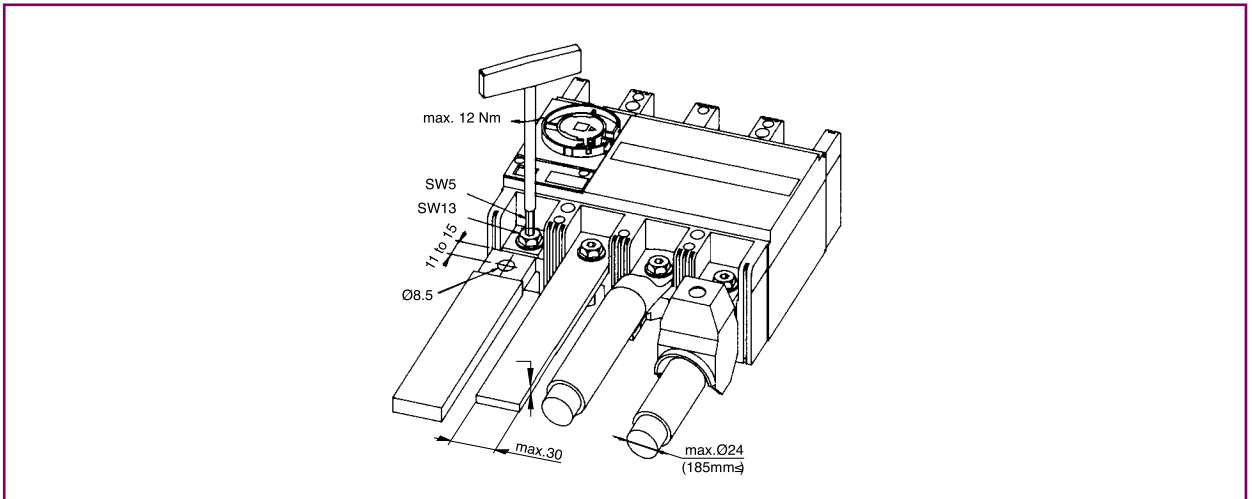


Connection possibilities

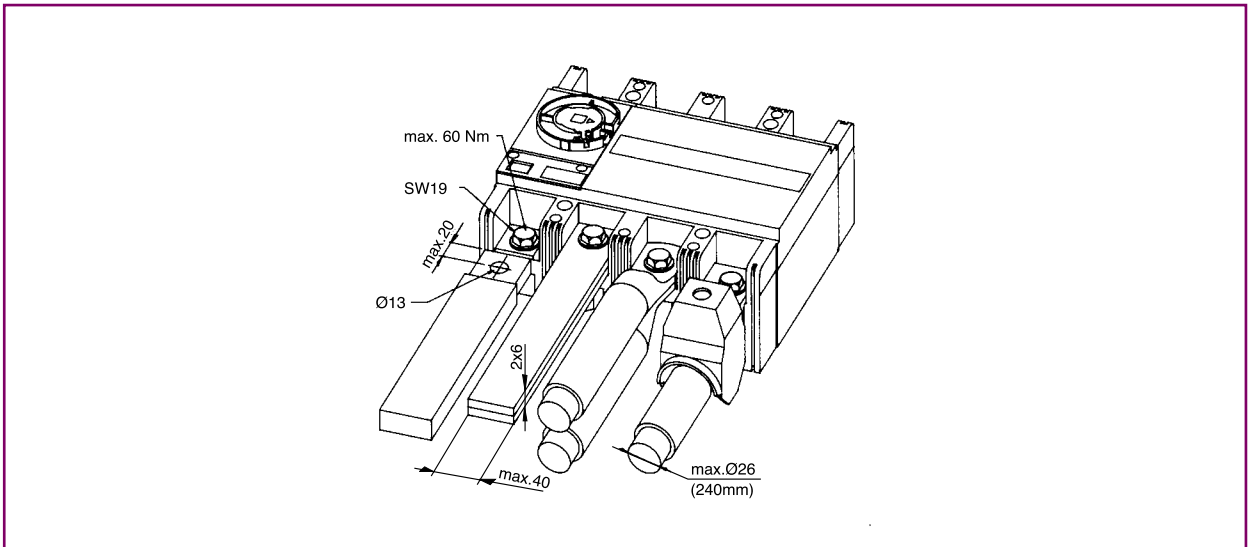
Dilos 2



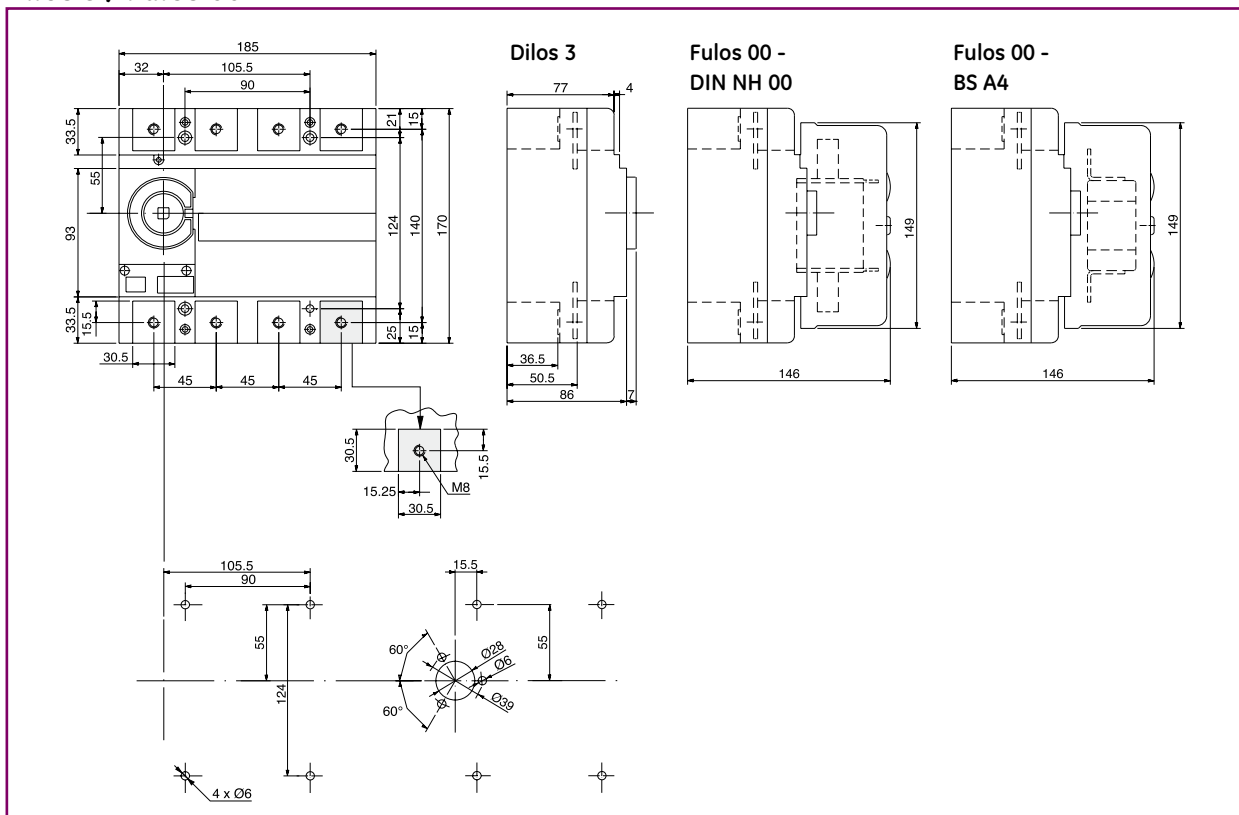
Dilos 3 / Fulos 00



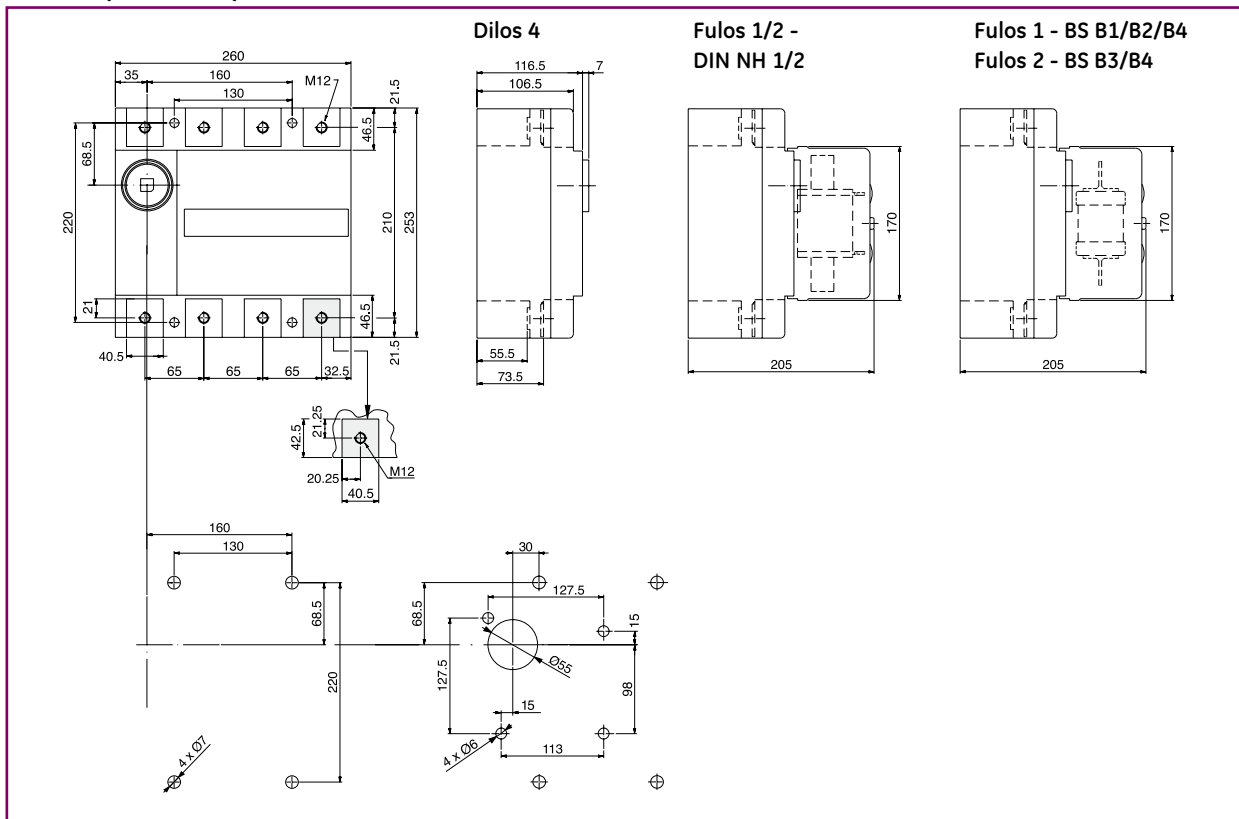
Dilos 4 / Fulos 1 / Fulos 2



Dilos 3 / Fulos 00

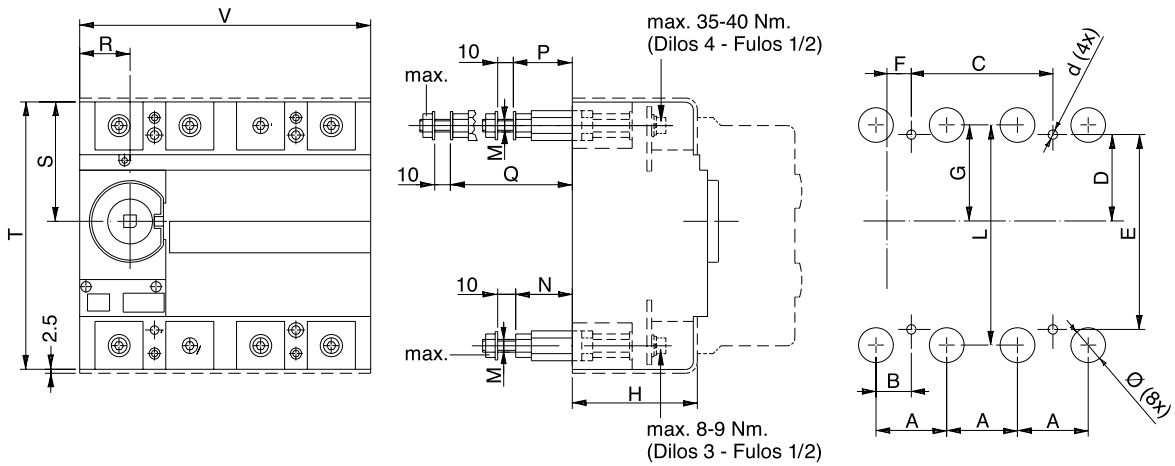


Dilos 4 / Fulos 1 / Fulos 2



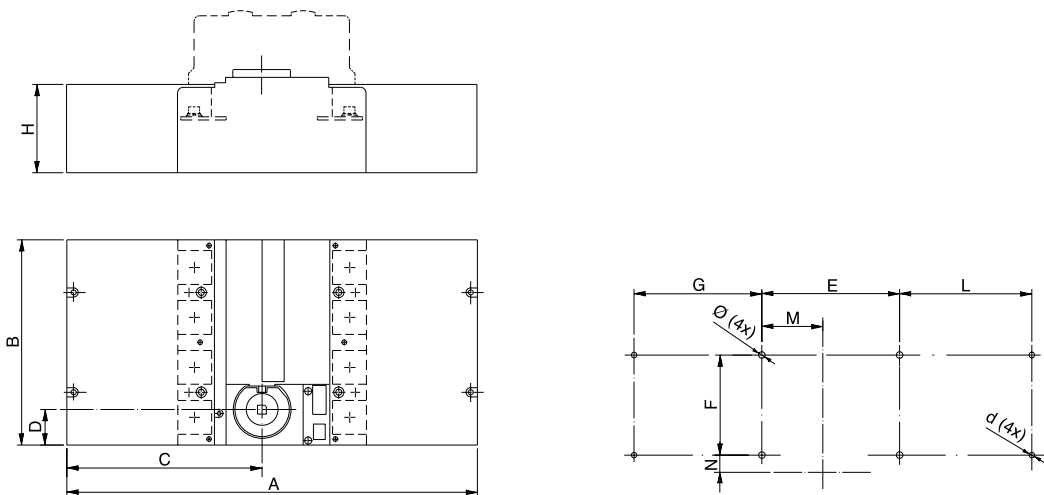
Dimensions

Rear terminals - Dilos 3 / 4 - Fulos 00 / 1 / 2



Dimensions																				
	A	B	C	D	E	F	G	H	L	M	N	Ø	d	MAX.	P	Q	R	S	T	V
Dilos 3 - Fulos 00	45	22.5	90	55	124	15.5	61	80	140	M8	36	22	6	6Nm	-	-	32	76	170	185
Dilos 4 - Fulos 1 / 2	65	32.5	130	68.5	220	30	63.5	110	210	M14	-	30	7	19Nm	51	98	35	85	253	260

Terminal covers - Dilos 3 / 4 - Fulos 00 / 1 / 2



Dimensions													
	A	B	C	D	E	F	G	H	L	M	N	Ø	d
Dilos 3 - Fulos 00 Long	370	185	176	32	124	90	115	80	119	55	15.5	6	5
Dilos 4 - Fulos 1 / 2 Long	433	260	175	35	220	130	100.5	109	100.5	68.5	30	7	5
Dilos 3 - Fulos 00 Short	250	185	116	32	124	90	55	80	59	65	15.5	6	5
Dilos 4 - Fulos 1 / 2 Short	363	260	140	35	220	130	73	109	65.5	68.5	30	7	5

Dimensions

A

B

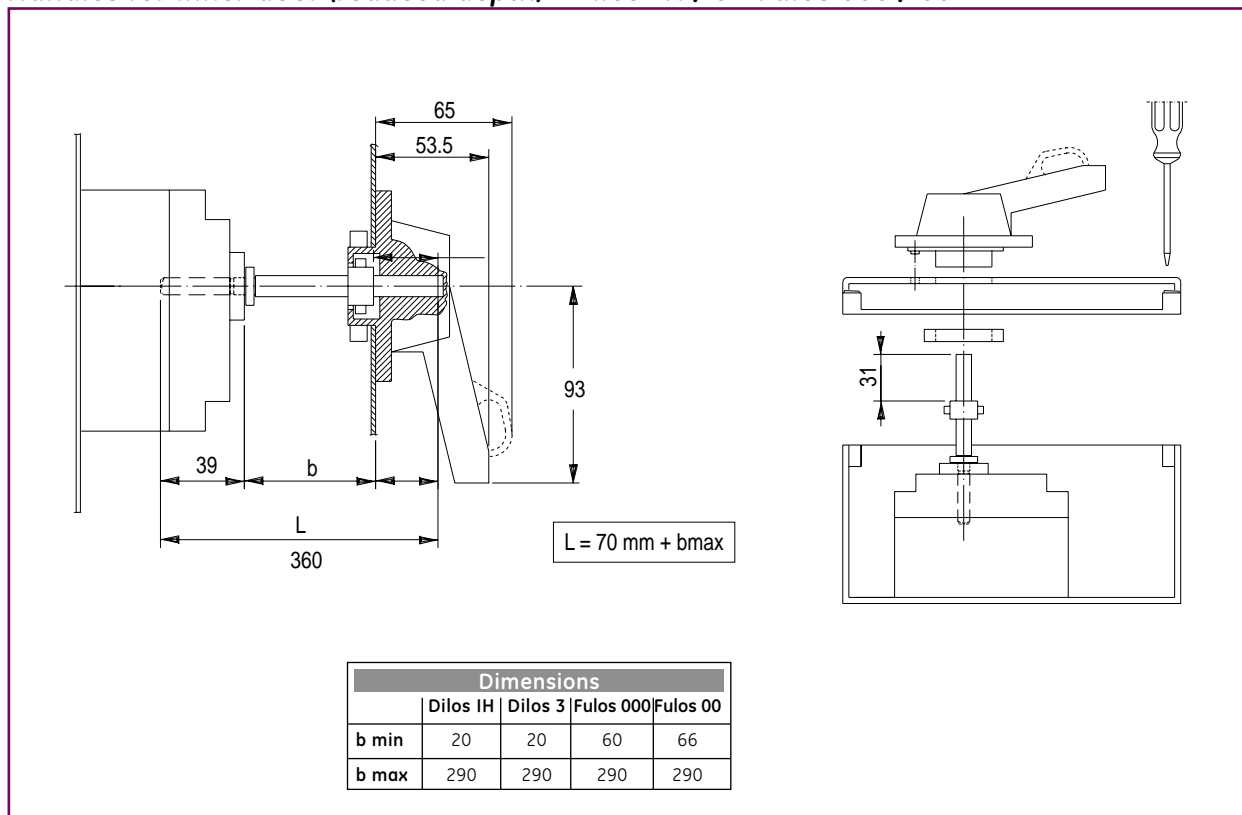
C

D

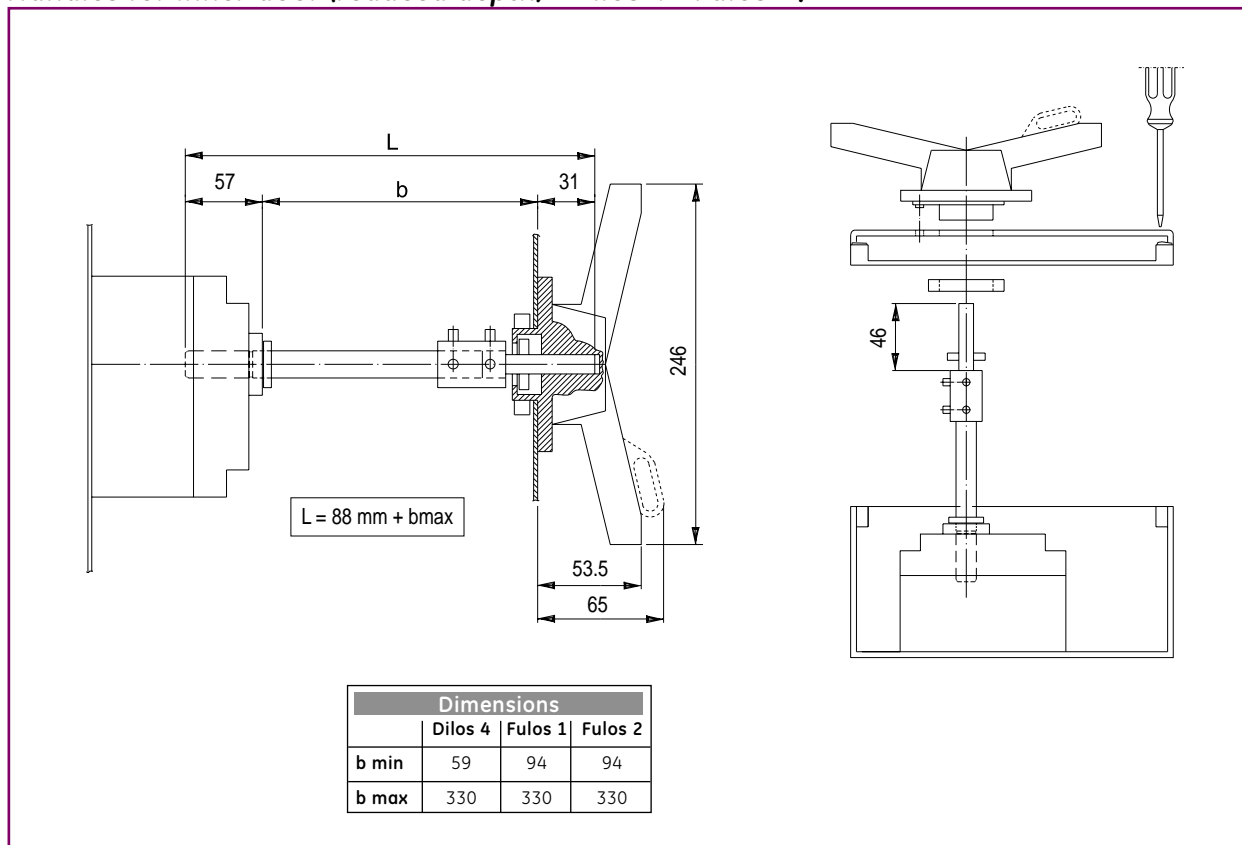
E

X

Handles for inner door (reduced depth) - Dilos 1H / 3 - Fulos 000 / 00



Handles for inner door (reduced depth) - Dilos 4 - Fulos 1 / 2



Dilos/Fulos

A

B

C

D

E

X