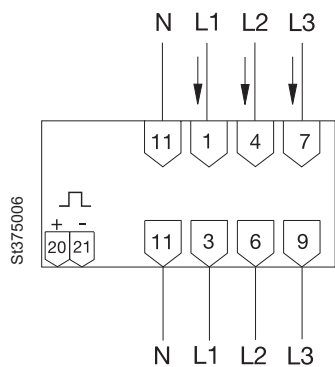


# ODIN Meter

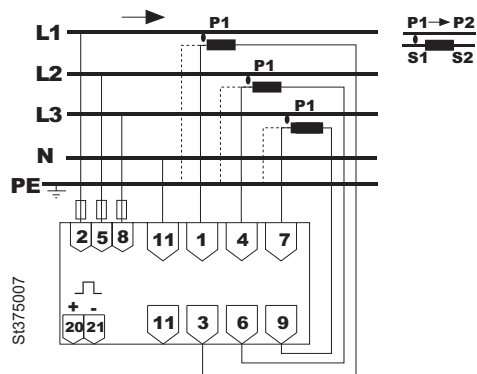
## Wiring diagrams

### Wiring diagrams

Direct connection



Connection via current transformer



Pulse output

