
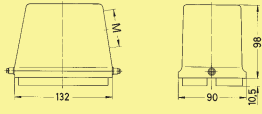

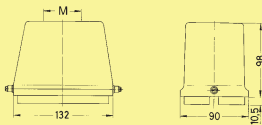

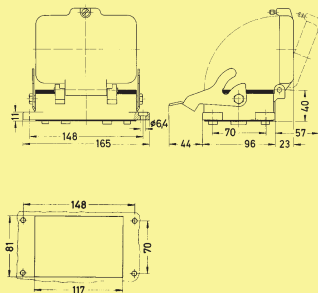

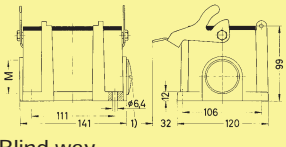

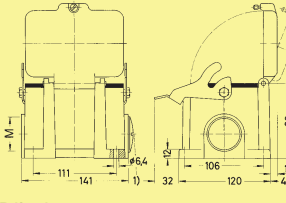


Metal hoods/housings for industrial applications / 1 lever locking system

Identification		Part number	Cable entry metric	Drawing	Dimensions in mm
Hoods side entry		19 30 048 0548 19 30 048 0549	1 x 40 1 x 50		
Hoods top entry		19 30 048 0448 19 30 048 0449	1 x 40 1 x 50		

Metal hoods/housings for industrial applications / 1 lever locking system

Identification		Part number	Cable entry metric	Drawing	Dimensions in mm
Housings, bulkhead mounting		with thermo- plastic cover 09 30 048 0301 with metal cover 09 30 048 0317		 Panel cut out	
Housings, surface mounting side entry		19 30 048 0292 19 30 048 0293	2 x 32 2 x 40	 Blind way	
side entry		with thermo- plastic cover 19 30 048 0298	2 x 40	 Blind way	

Han Hoods
Housings

* usable for two inserts of size 24 B
Stock items in bold type

Hoods/Housings for higher environmental requirements / 1 lever locking system

Identification		Part number	Cable entry metric	Drawing	Dimensions in mm
Hoods side entry		19 37 048 0548	1 x 40		
Hoods top entry		19 37 048 0448 19 37 048 0449	1 x 40 1 x 50		
Hoods top entry		19 37 048 0401	4 x 25		

Hoods/Housings for higher environmental requirements / 1 lever locking system

Identification		Part number	Cable entry metric	Drawing	Dimensions in mm
Housings, bulkhead mounting		09 37 048 0301			
Han Hoods Housings					

* usable for two inserts of size 24 B
Stock items in bold type